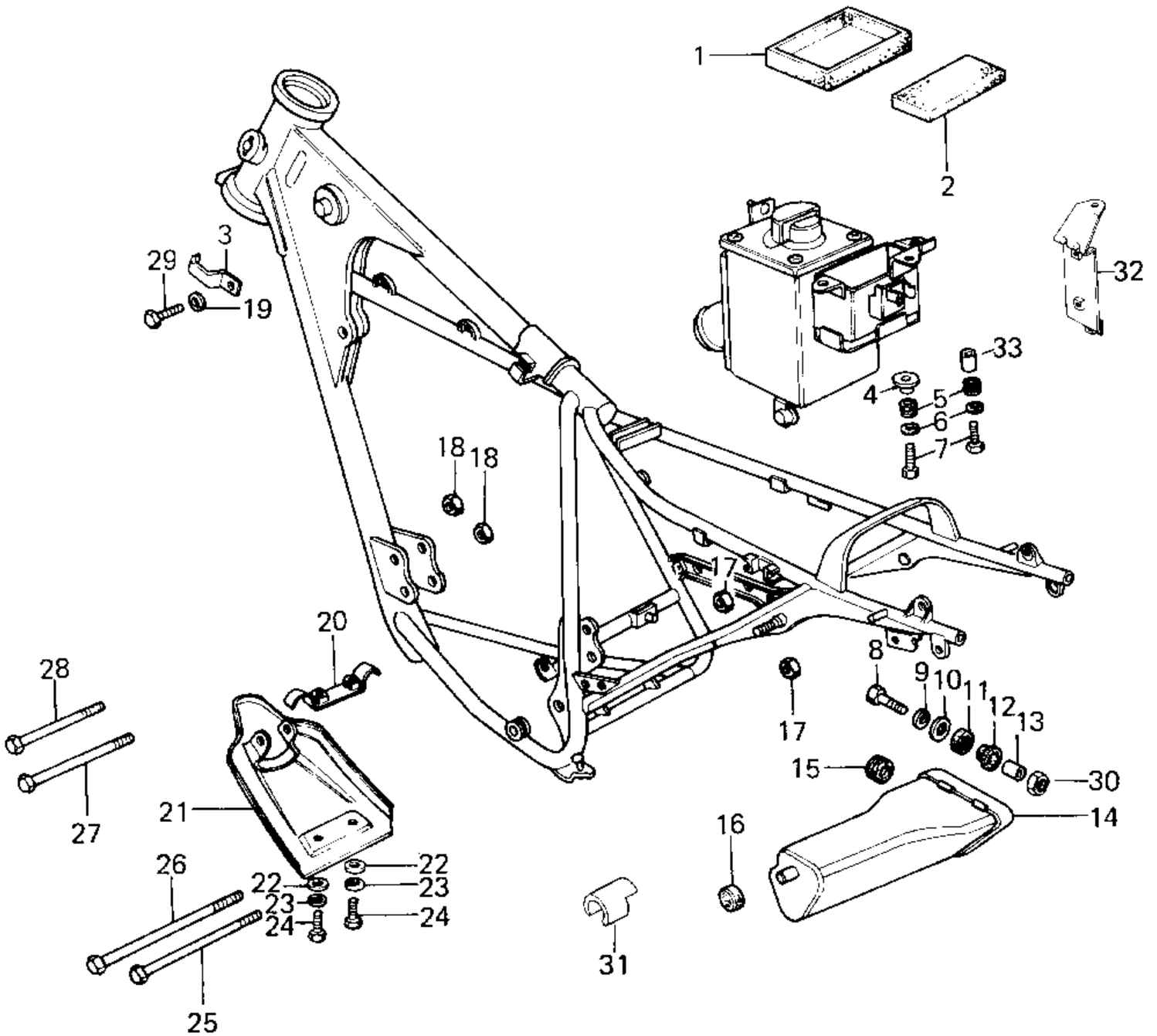


1981 KE125 PARTS DIAGRAM

FRAME FITTINGS ('80-'81 A7/A8)



1981 KE125 PARTS LIST

FRAME FITTINGS ('80-'81 A7/A8)

ITEM NAME	PART NUMBER	QUANTITY
MAT-BATTERY SIDE (Ref # 1)	32103-023	1
MAT,BATTERY (Ref # 2)	32103-027	1
CLAMP,WIRE HARNESS (Ref # 3)	92037-150	1
COLLAR (Ref # 4)	92027-153	1
DAMPER RUBBER (Ref # 5)	92075-051	1
WASHER SPRING 6MM (Ref # 6)	461F0600	4
BOLT-UPSET,6X16 (Ref # 7)	112G0616	2
BOLT-UPSET (Ref # 8)	112G0625	1
WASHER,PLAIN,7MM (Ref # 10)	92022-228	1
DAMPER RUBBER (Ref # 11)	92075-175	1
RUBBER,FENDER COVER (Ref # 12)	92075-174	1
COLLAR,REAR FENDER (Ref # 13)	92027-162	1
CASE,TOOL (Ref # 14)	32098-022	1
DAMPER RUBBER-OIL TNK (Ref # 15)	92075-150	1
DAMPER RUBBER (Ref # 16)	92075-107	1
NUT,10MM (Ref # 17)	92015-1429	1
NUT,LOCK,8MM (Ref # 18)	92015-1124	1
BRACKET,ENGINE GUARD (Ref # 20)	55016-008	1
GUARD,ENGINE (Ref # 21)	55011-020	1
WASHER 6.5X20X1.6T (Ref # 22)	92022-125	1
BOLT,FLANGED,10X115 (Ref # 25)	92001-1603	1
BOLT,FLANGED,10X130 (Ref # 26)	92001-1604	1
BOLT FLANGED,8X70 (Ref # 27)	92001-1583	1
BOLT-FLANGE (Ref # 28)	92001-1582	1
BOLT-UPSET 6X14 (Ref # 29)	112B0614	1
NUT 6MM (Ref # 30)	311B0600	1
GUARD,CHAIN (Ref # 31)	55020-1045	1
BRACKET,REGULATOR (Ref # 32)	11034-1798	1
COLLAR (Ref # 33)	92027-103	1