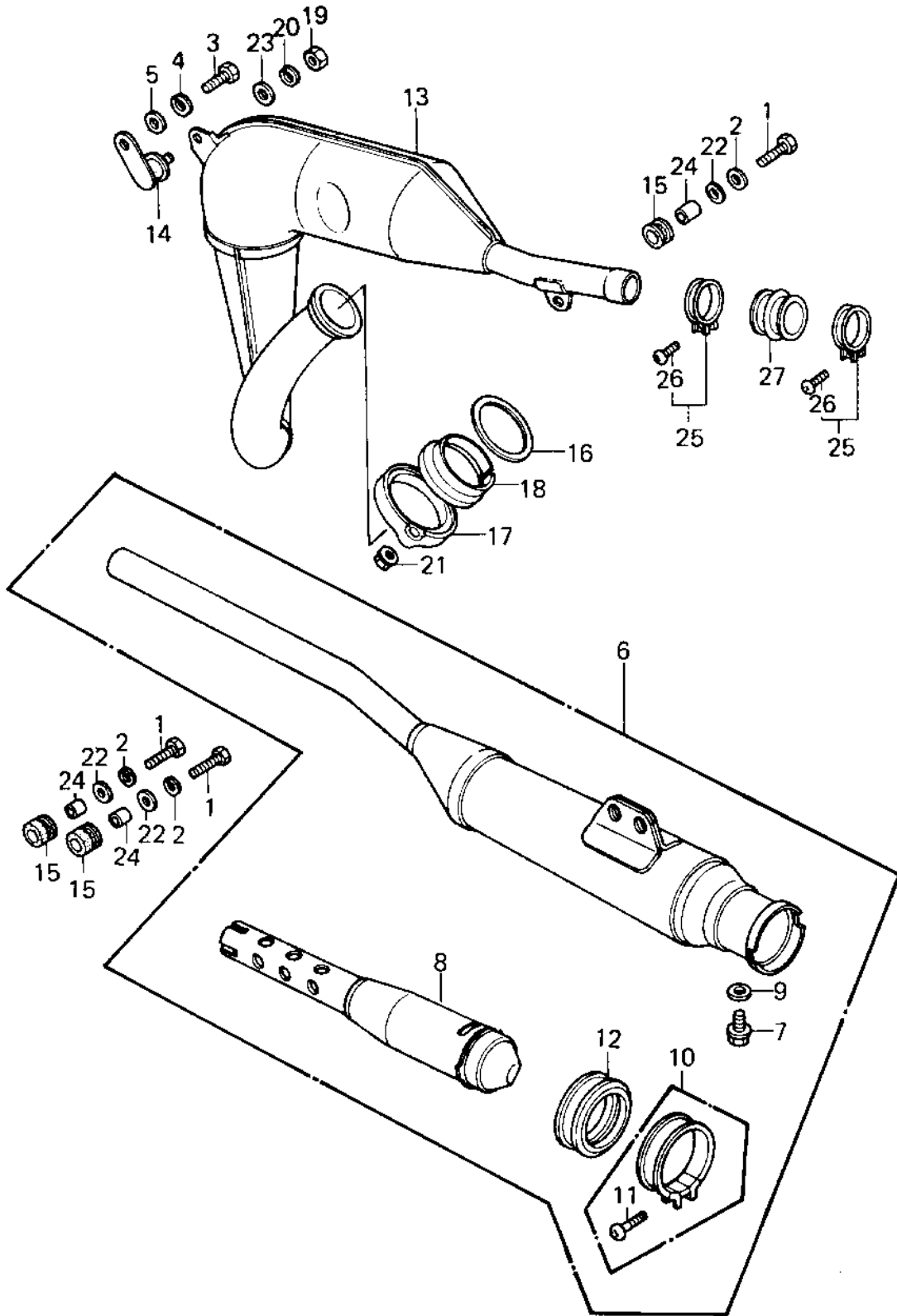


1981 KE125 PARTS DIAGRAM

MUFFLER ('80-'81 A7/A8)



1981 KE125 PARTS LIST

MUFFLER ('80-'81 A7/A8)

ITEM NAME	PART NUMBER	QUANTITY
BOLT HEX HEAD 8X28 (Ref # 1)	114G0828	
WASHER SPRING 8MM (Ref # 2)	461F0800	
BOLT-SMALL-UPSET,8X16 (Ref # 3)	115G0816	
WASHER SPRING 8MM (Ref # 4)	461F0800	
WASHER PLAIN 8MM (Ref # 5)	410B0800	
MUFFLER (Ref # 6)	18001-1279	
BOLT HEX HEAD 6X8 (Ref # 7)	110B0608	
BAFFLE PIPE,MUFFLER (Ref # 8)	49099-1028	
WASHER OIL PUMP BANJO (Ref # 9)	92022-077	
CLAMP (Ref # 10)	92037-171	
SCREW-PAN-CROS (Ref # 11)	220B0535	
DUST SHIELD,MUFFLER (Ref # 12)	92093-1013	
BODY-MUFFLER (Ref # 13)	18006-1135	
BRACKET,MUFFLER (Ref # 14)	18061-060	
DAMPER RUBBER-MUFFLER (Ref # 15)	18063-005	
GASKET EXHAUST PIPE (Ref # 16)	18067-008	
HOLDER,EXHAUST PIPE (Ref # 17)	18069-057	
INSERT,EXHAUST HOLDER (Ref # 18)	18070-007	
NUT,8M/M (Ref # 19)	317B0800	
WASHER SPRING 8MM (Ref # 20)	461F0800	
NUT,LOCK,8MM (Ref # 21)	92017-013	
WASHER,8X26X2.3 (Ref # 22)	92022-1564	
WASHER,8.5X20X1.6 (Ref # 23)	92022-1561	
COLLAR (Ref # 24)	92027-102	
CLAMP,CONNECTOR (Ref # 25)	92037-1127	
SCREW-PAN-CROS,5X25 (Ref # 26)	220B0525	
SEAL,MUFFLER CONNECT (Ref # 27)	92093-1020	