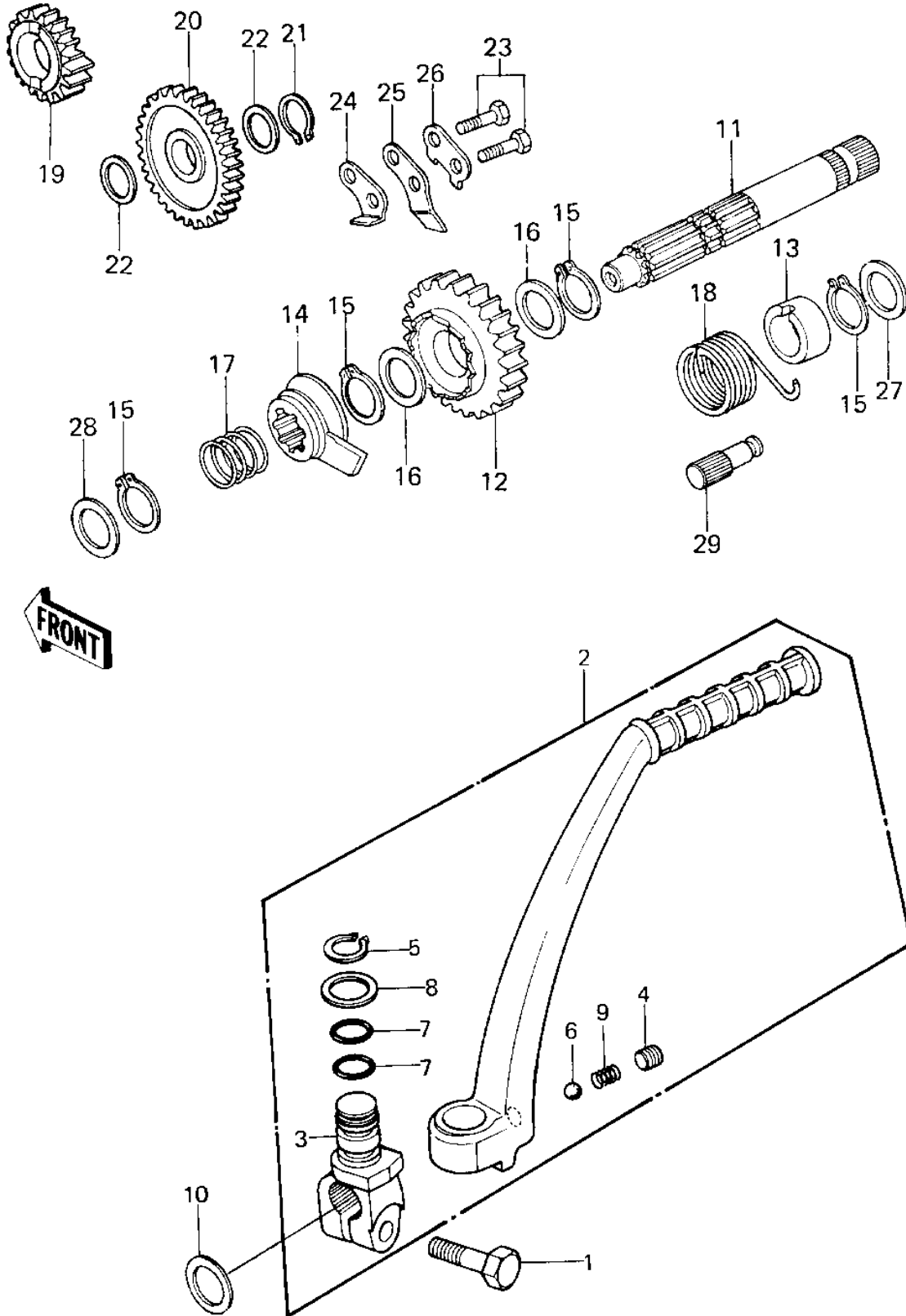


## 1981 KE125 PARTS DIAGRAM

KICKSTARTER MECHANISM ('80-'81 A7/A8)



## 1981 KE125 PARTS LIST

KICKSTARTER MECHANISM ('80-'81 A7/A8)

| ITEM NAME                        | PART NUMBER | QUANTITY |
|----------------------------------|-------------|----------|
| BOLT-SMALL-UPSET 8X25 (Ref # 1)  | 115G0825    | 1        |
| PEDAL ASSY,KICK (Ref # 2)        | 13064-1027  | 2        |
| BOSS,KICK PEDAL (Ref # 3)        | 13061-5001  | 2        |
| SCREW,8X8 (Ref # 4)              | 290Q0808    | 1        |
| CIR CLIP (Ref # 5)               | 482K0100    | 1        |
| BALL STEEL 1/4' (Ref # 6)        | 600A0800    | 1        |
| "O" RING,12MM (Ref # 7)          | 670B2012    | 1        |
| WASHER,PLAIN (Ref # 8)           | 92022-1019  | 1        |
| SPRING KICK PEDAL (Ref # 9)      | 92081-020   | 1        |
| WASHER,16.3X24X1 (Ref # 10)      | 92022-1205  | 1        |
| SHAFT,KICKSTARTER (Ref # 11)     | 13066-1012  | 1        |
| GEAR,KICKSTARTER (Ref # 12)      | 13068-032   | 1        |
| GUIDE,KICKSPRING (Ref # 13)      | 13070-008   | 1        |
| RATCHET,KL250-D2 (Ref # 14)      | 13078-1052  | 1        |
| CIRCLIP 16MM (Ref # 15)          | 480J1600    | 1        |
| WASHER,PLAIN (Ref # 16)          | 92022-315   | 1        |
| SPRING,RATCHET (Ref # 17)        | 92081-122   | 1        |
| SPRING,KICKSTARTER (Ref # 18)    | 92082-005   | 1        |
| PINION,KICKSTARTER (Ref # 19)    | 13075-010   | 1        |
| IDLE GEAR,KICKSTARTER (Ref # 20) | 13073-011   | 1        |
| CIRCLIP,13MM (Ref # 21)          | 480J1300    | 1        |
| WASHER,PLAIN (Ref # 22)          | 92022-267   | 1        |
| BOLT HEX HEAD 6X18 (Ref # 23)    | 110N0618    | 1        |
| STOPPER,KICKSTARTER (Ref # 24)   | 32085-1061  | 1        |
| GUIDE,KICKSTARTER (Ref # 25)     | 13206-010   | 1        |
| WASHER,LOCK (Ref # 26)           | 92024-054   | 1        |
| WASHER,PLAIN (Ref # 27)          | 92022-268   | 1        |
| WASHER,PLAIN (Ref # 28)          | 92022-269   | 1        |
| PIN (Ref # 29)                   | 92043-102   | 1        |