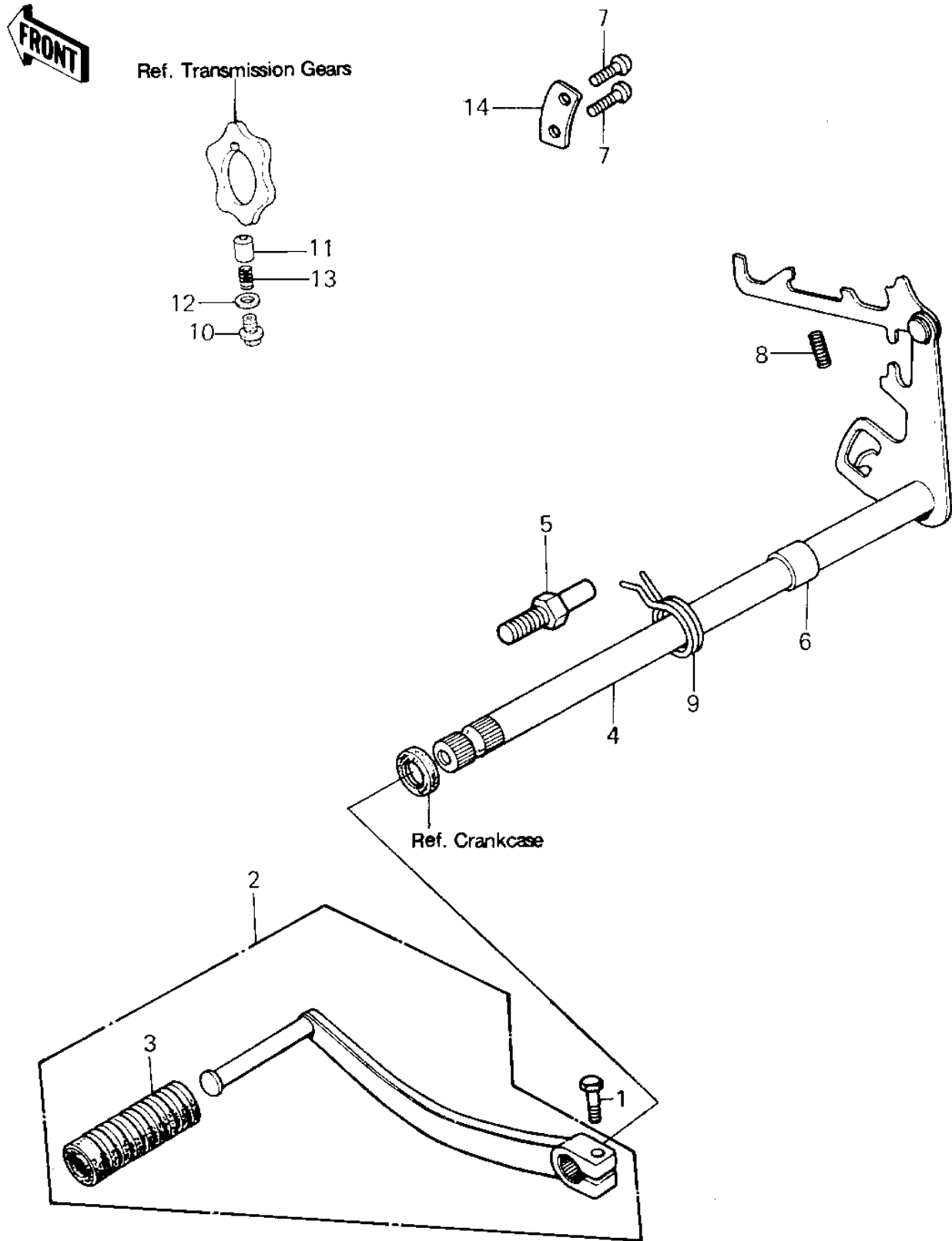


1981 KE125 PARTS DIAGRAM

GEAR CHANGE MECHANISM ('80-'81 A7/A8)



1981 KE125 PARTS LIST

GEAR CHANGE MECHANISM ('80-'81 A7/A8)

ITEM NAME	PART NUMBER	QUANTITY
BOLT-UPSET,6X20 (Ref # 1)	112G0620	1
LEVER-ASSY-CHANGE,PED (Ref # 2)	13242-1272	1
RUBBER CHANGE PEDAL (Ref # 3)	13157-004	1
LEVER ASY,GEAR SHIFT (Ref # 4)	13161-040	1
BOLT,RETURN SPRING (Ref # 5)	92001-1401	1
COLLAR,GEAR CHNG LEV (Ref # 6)	92027-205	1
SCREW PAN HEAD 6X14 (Ref # 7)	220B0614	1
SPRING,KICK PAWL (Ref # 8)	92081-124	1
SPRING,TENTION (Ref # 9)	92081-1129	1
BOLT,10MM (Ref # 10)	92001-131	1
PIN-NEUTRAL POSITION (Ref # 11)	92043-076	1
GASKET (Ref # 12)	92065-090	1
SPRING (Ref # 13)	92081-112	1
PLATE CHNG DRUM PSTN (Ref # 14)	13169-002	1