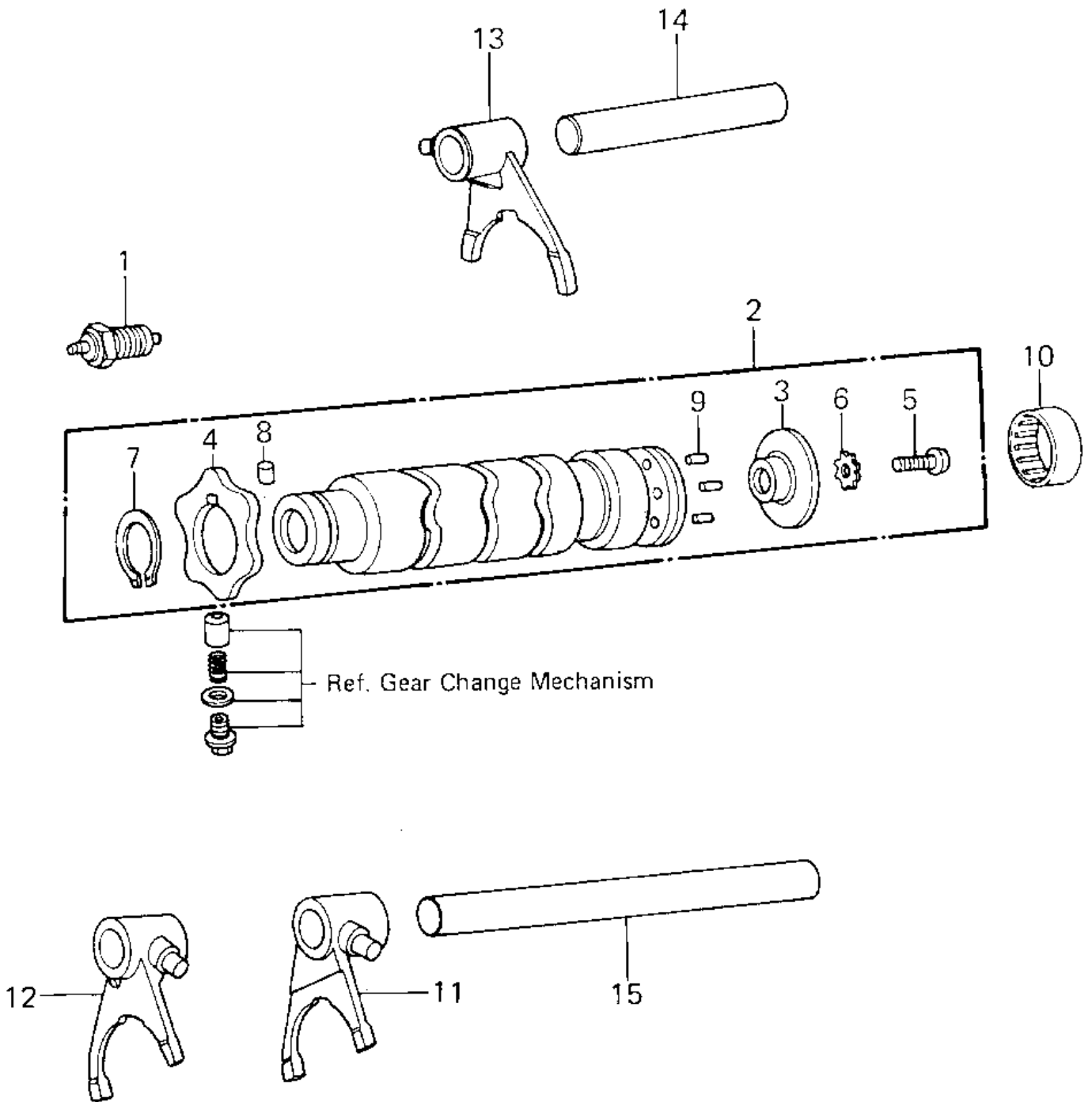


1981 KE125 PARTS DIAGRAM

GEAR CHANGE DRUM & FORKS ('80-'81 A7/A8)



1981 KE125 PARTS LIST

GEAR CHANGE DRUM & FORKS ('80-'81 A7/A8)

ITEM NAME	PART NUMBER	QUANTITY
SWITCH,NEUTRAL (Ref # 1)	13151-019	
DRUM ASSY,GEAR SHIFT (Ref # 2)	13239-018	
PLTE,SHIFT DRUM PIN (Ref # 3)	13142-017	
CAM-CHANGE DRUM (Ref # 4)	13145-1058	
SCREW PAN HEAD 6X14 (Ref # 5)	220B0614	
WASHER LOCK 6MM (Ref # 6)	464H0600	
CIRCLIP,30MM (Ref # 7)	480J3000	
PIN-DOWEL,4X6 (Ref # 8)	610A0406	
PIN,GEAR CHNGE DRUM (Ref # 9)	92042-030	
BEARING,NEEDLE (Ref # 10)	92046-043	
FORK,SELECTOR,LOW&4TH (Ref # 11)	13140-058	
FORK,SELECTOR,2ND&3RD (Ref # 12)	13140-059	
FORK,SELECTOR,5TH&TOP (Ref # 13)	13140-060	
RODSHIFT,SHORT (Ref # 14)	13209-014	
ROD-SHIFT,10X102 (Ref # 15)	49047-1060	