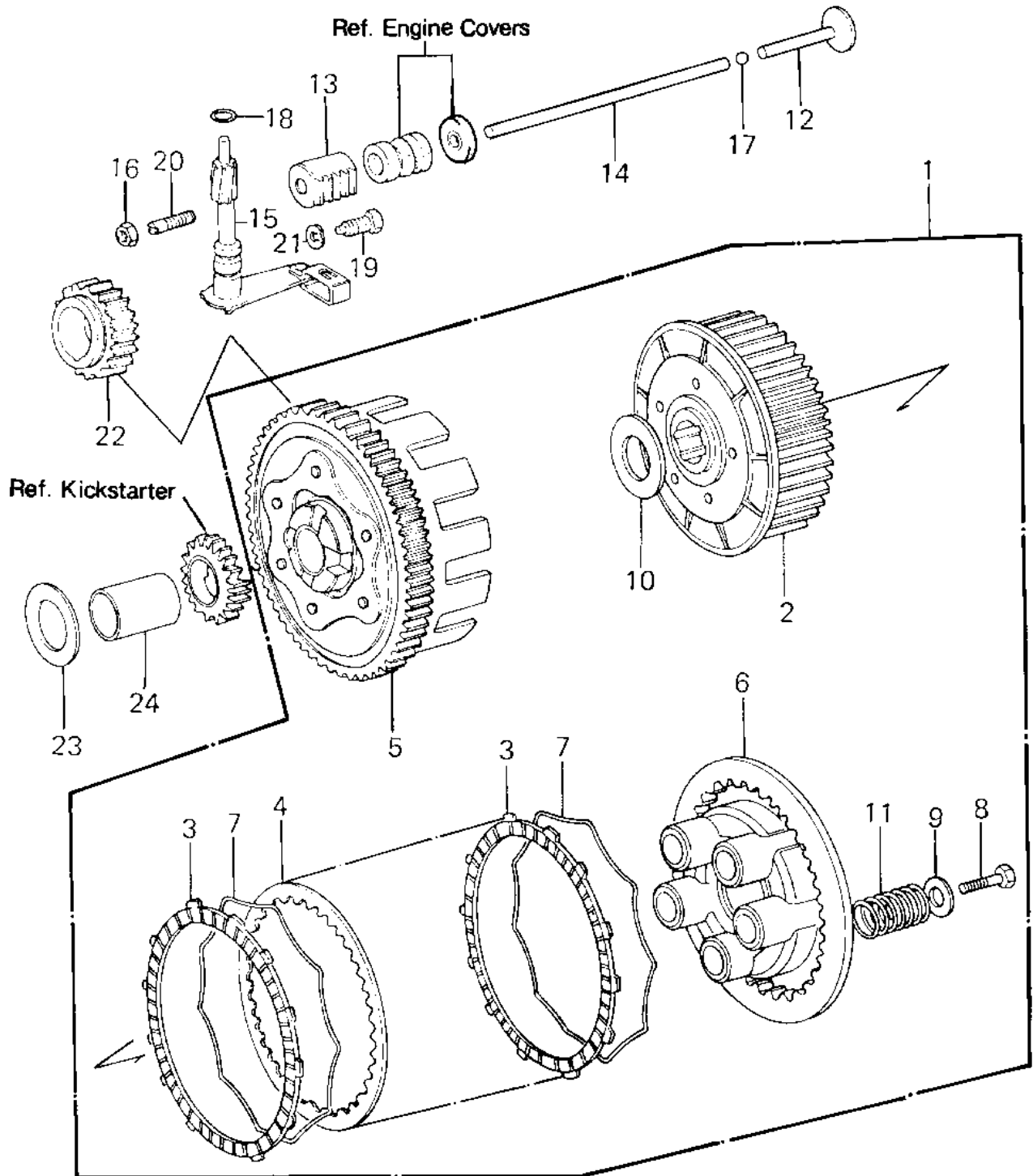


## 1980 KE125 PARTS DIAGRAM

CLUTCH ('80-'81 A7/A8)



## 1980 KE125 PARTS LIST

CLUTCH ('80-'81 A7/A8)

ITEM NAME	PART NUMBER	QUANTITY
CLUTCH-ASSY (Ref # 1)	13081-1053	2
HUB,CLUTCH (Ref # 2)	13087-038	1
PLATE-FRICTION (Ref # 3)	13088-1015	1
PLATE CLUTCH STEEL (Ref # 4)	13089-003	1
HOUSING CLUTCH (Ref # 5)	13095-1034	2
PLATE-CLUTCH SPRING (Ref # 6)	13187-004	1
RING-CLUTCH STEEL (Ref # 7)	13229-002	1
BOLT,5X18 (Ref # 8)	92003-078	1
WASHER-PLAIN,5MM (Ref # 9)	92022-167	1
WASHER,PLAIN (Ref # 10)	92022-270	2
SPRING,CLUTCH (Ref # 11)	92081-123	1
PUSHER-CLTCH SPRG PLT (Ref # 12)	13116-016	1
ROD,CLTCH RELESE PUSH (Ref # 13)	13116-026	1
ROD,CLUTCH PUSH,LONG (Ref # 14)	13116-027	1
SHAFT ASY,CLTCH RELES (Ref # 15)	13234-003	1
NUT 6MM (Ref # 16)	311B0600	1
BALL STEEL 7/32' (Ref # 17)	600A0700	1
"O" RING, 10MM (Ref # 18)	670B2010	1
BOLT,CLUTCH RELEASE (Ref # 19)	92003-130	1
SCREW,SLOTTED,6X26 (Ref # 20)	92014-015	1
WASHER,LOCK (Ref # 21)	92031-009	1
GEAR,PRIMARY 22T (Ref # 22)	13097-1040	2
BUSHING,CLUTCH (Ref # 24)	92028-138	1