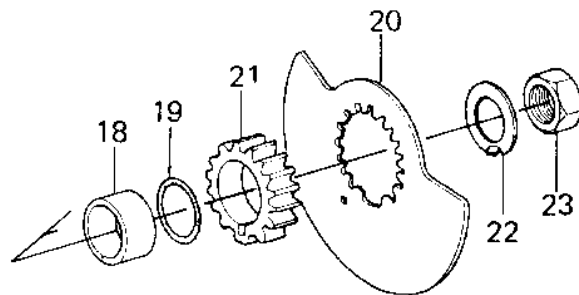
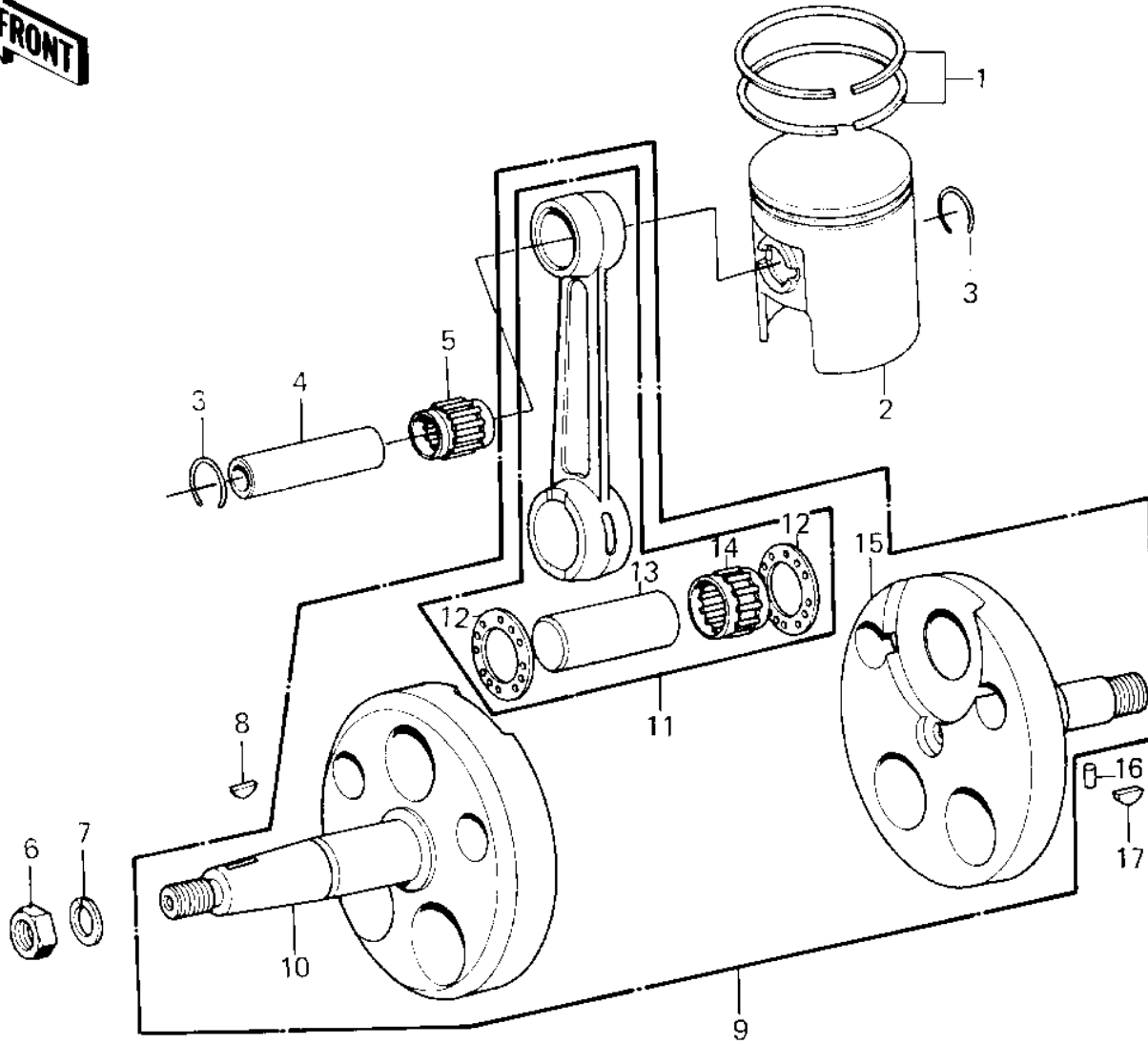


1981 KE125 PARTS DIAGRAM

CRANKSHAFT/PISTON/ROTARY VALVE ('80-'81)



1981 KE125 PARTS LIST

CRANKSHAFT/PISTON/ROTARY VALVE ('80-'81)

| ITEM NAME | PART NUMBER | QUANTITY |
|----------------------------------|-------------|----------|
| RING-SET,PISTON,S.T.D (Ref # 1) | 13008-5010 | |
| PISTON-ENGINE,STD (Ref # 2) | 13001-1124 | |
| CIRCLIP PISTON PIN (Ref # 3) | 92036-003 | |
| PIN-PISTON (Ref # 4) | 13002-1002 | |
| BRG,N,UR14/20AP-1 (Ref # 5) | 13033-035 | |
| NUT,10MM (Ref # 6) | 314B1000 | |
| WASHER SPRING 10MM (Ref # 7) | 461F1000 | |
| WOODRUFF KEY (Ref # 8) | 510A3200 | |
| CRANK AND CONROD ASSY (Ref # 9) | 13031-1003 | |
| CRANKSHAFT,L.H (Ref # 10) | 13037-059 | |
| CONNECTING ROD SET (Ref # 11) | 13044-5003 | |
| WASHER SIDE (Ref # 12) | 92025-005 | |
| CRANK PIN (Ref # 13) | 13035-033 | |
| BRG,NEEDLE,KT202715EG (Ref # 14) | 13034-1001 | |
| CRANKSHAFT,R.H. (Ref # 15) | 13037-1084 | |
| PIN DOWEL 4X10 (Ref # 16) | 610A0410 | |
| WOODRUFF KEY PRY PINI (Ref # 17) | 92038-003 | |
| COLLAR,ENG SPROCKET (Ref # 18) | 92027-1077 | |
| "O" RING,16MM (Ref # 19) | 670B2016 | |
| VALVE,ROTARY DISC (Ref # 20) | 12002-029 | |
| COLLAR,ROTARY DISC (Ref # 21) | 92027-1272 | |
| WASHER LOCK 12MM (Ref # 22) | 92024-003 | |
| NUT 12MM (Ref # 23) | 92015-006 | |