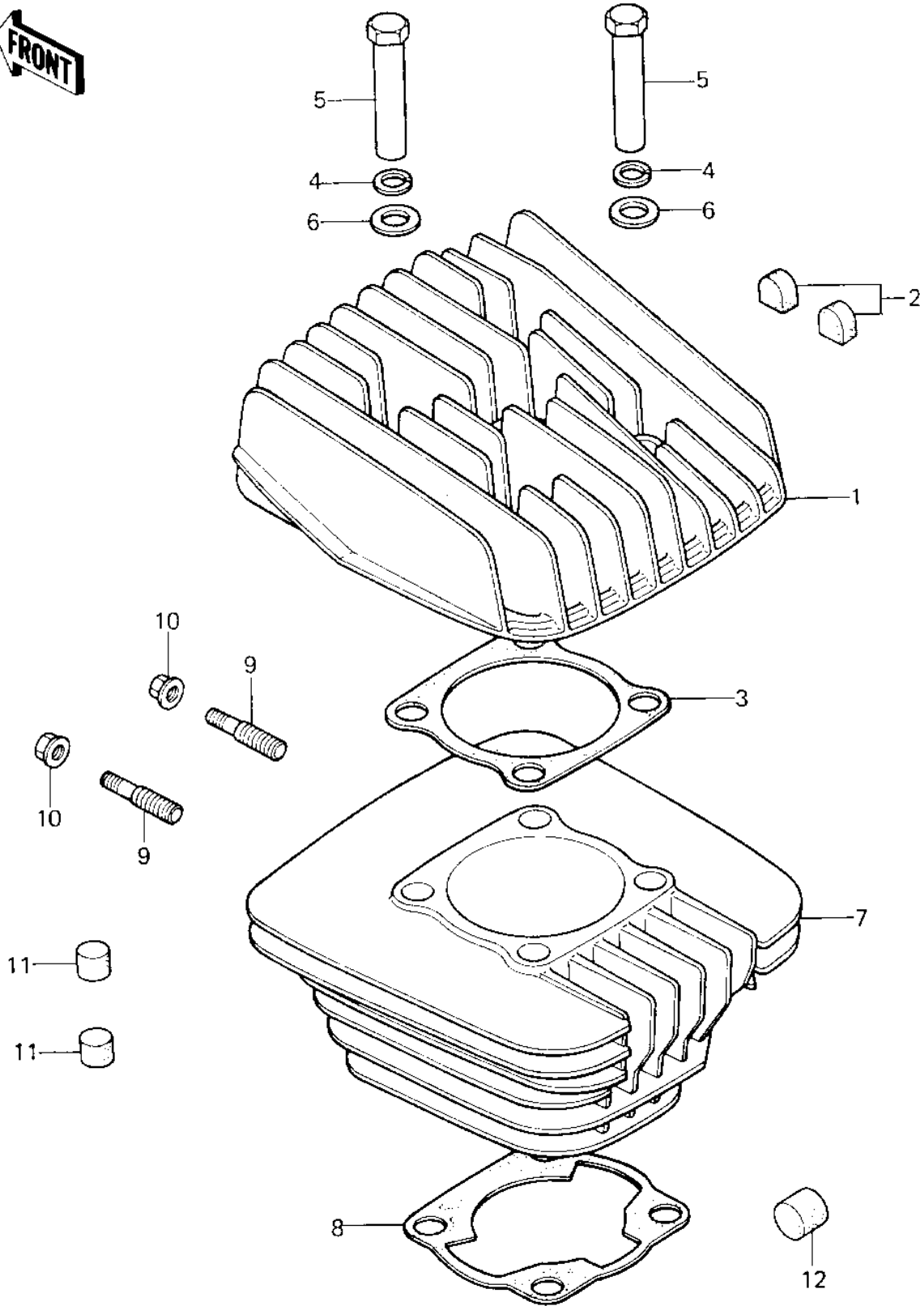


# 1981 KE125 PARTS DIAGRAM

CYLINDER HEAD/CYLINDER ('80-'81 A7/A8)



# 1981 KE125 PARTS LIST

CYLINDER HEAD/CYLINDER ('80-'81 A7/A8)

ITEM NAME	PART NUMBER	QUANTITY
HEAD,CYLINDER,F.BLACK (Ref # 1)	11001-1033	
DAMPER RUBBER (Ref # 2)	92075-1176	
GASKET,CYLINDER HEAD (Ref # 3)	11004-064	
WASHER SPRING 12MM (Ref # 4)	461F1200	
NUT 8MM (Ref # 5)	92015-020	
WASHER PLAIN 12MM (Ref # 6)	92022-072	
CYLINDER,F.BLACK (Ref # 7)	11005-1073	
GASKET,CYLINDER BASE (Ref # 8)	11009-037	
STUD (Ref # 9)	92004-029	
NUT-6MM (Ref # 10)	92015-1078	
DAMPER RUBBER-CYL-HD (Ref # 11)	92075-109	
DAMPER RUBBER-CYL HD (Ref # 12)	92075-117	