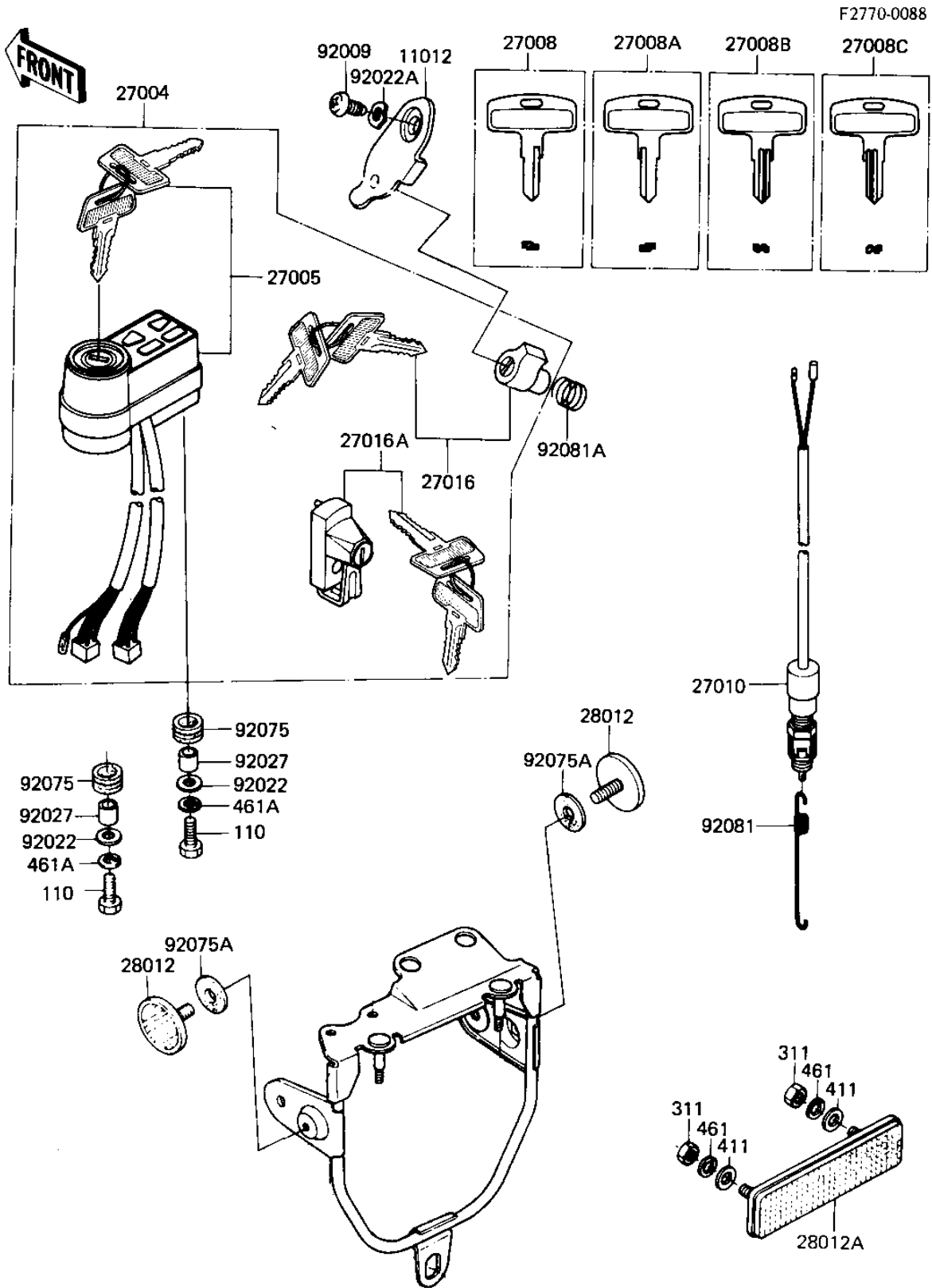


# 1982 KLR250 PARTS DIAGRAM

IGNITION SWITCH/LOCKS/REFLECTORS



# 1982 KLR250 PARTS LIST

## IGNITION SWITCH/LOCKS/REFLECTORS

| ITEM NAME                            | PART NUMBER | QUANTITY |
|--------------------------------------|-------------|----------|
| CAP,STEERING LOCK (Ref # 11012)      | 11012-1134  | 1        |
| LOCK ASSY (Ref # 27004)              | 27004-5134  | 1        |
| SWITCH ASSY,IGNITION (Ref # 27005)   | 27005-1051  | 1        |
| KEY,BLANK (Ref # 27008)              | 27008-1024  | 1        |
| KEY,BLANK (Ref # 27008A)             | 27008-1025  | 1        |
| KEY,BLANK (Ref # 27008B)             | 27008-1026  | 1        |
| KEY,BLANK (Ref # 27008C)             | 27008-1027  | 1        |
| SWITCH,BRAKE LAMP (Ref # 27010)      | 27010-1019  | 1        |
| LOCK ASSY,STEERING (Ref # 27016)     | 27016-042   | 1        |
| LOCK ASSY,HELMET (Ref # 27016A)      | 27016-5032  | 1        |
| REFLECTOR,REFLEX (Ref # 28012)       | 28012-016   | 2        |
| REFLECTOR,REAR REFLEX (Ref # 28012A) | 28012-1005  | 1        |
| SCREW-TAPPING (Ref # 92009)          | 92008-007   | 1        |
| WASHER 6.5X20X1.6T (Ref # 92022)     | 92022-125   | 2        |
| WASHER (Ref # 92022A)                | 92097-003   | 1        |
| COLLAR,REAR FENDER (Ref # 92027)     | 92027-162   | 2        |
| DAMPER RUBBER,RR FENR (Ref # 92075)  | 92075-209   | 2        |
| DAMPER RUBBER,REFLECT (Ref # 92075A) | 92094-011   | 2        |
| SPRING,BRAKE LAMP SN (Ref # 92081)   | 27011-017   | 1        |
| SPRING-STEERING LOCK (Ref # 92081A)  | 27032-001   | 1        |
| BOLT 6X22 (Ref # 110)                | 112B0622    | 2        |
| NUT,5MM (Ref # 311)                  | 311B0500    | 2        |
| WASHER PLAIN 5MM (Ref # 411)         | 411B0500    | 2        |
| WASHER SPRING 5MM (Ref # 461)        | 461F0500    | 2        |
| WASHER SPRING 6MM (Ref # 461A)       | 461F0600    | 2        |