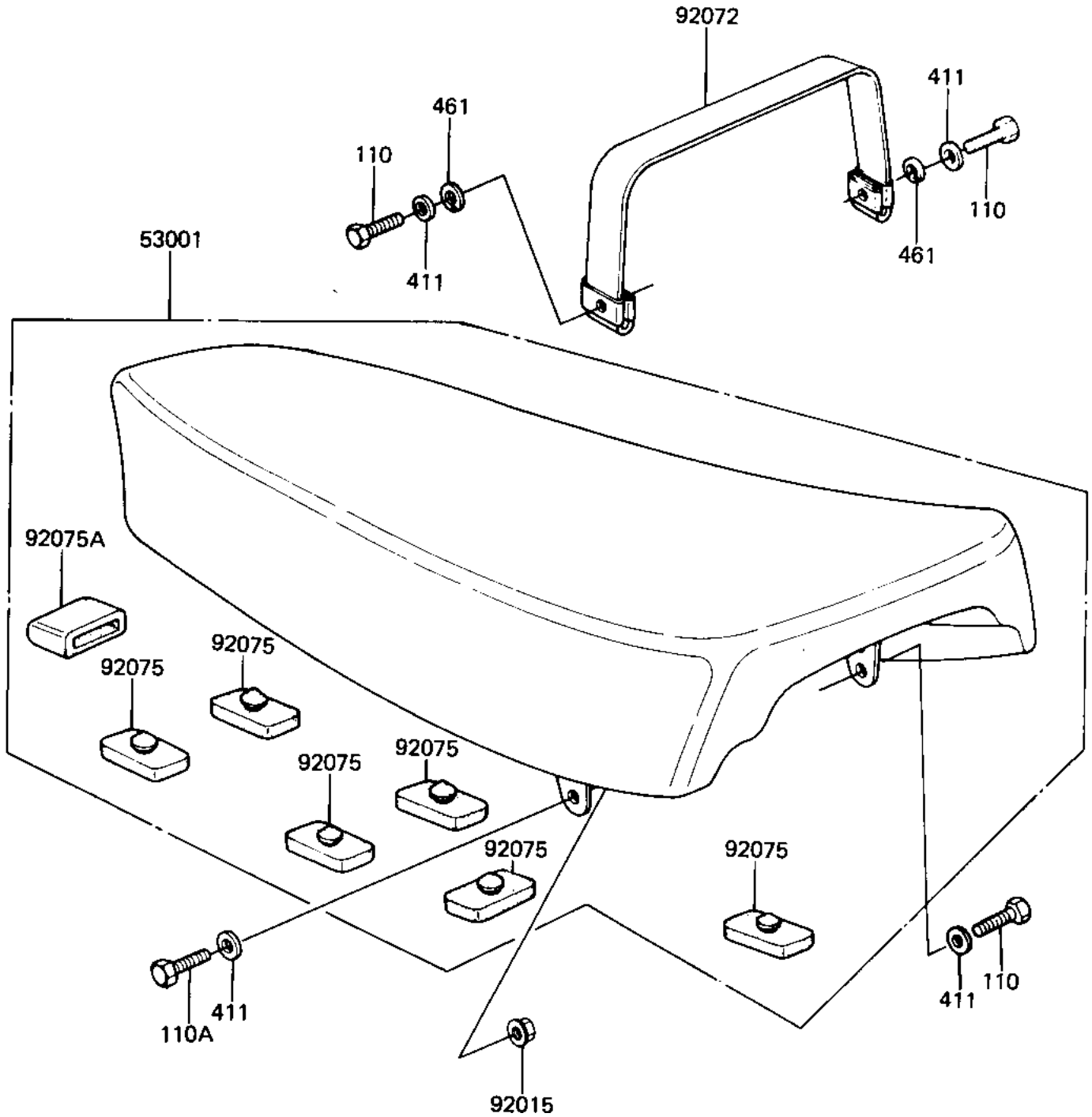


## 1982 KLR250 PARTS DIAGRAM

SEAT

F2510-0091



## 1982 KLR250 PARTS LIST

### SEAT

ITEM NAME	PART NUMBER	QUANTITY
SEAT-ASSY (Ref # 53001)	53001-1367	1
NUT-6MM (Ref # 92015)	92015-1078	1
BAND,SEAT (Ref # 92072)	92072-1041	1
DAMPER,SEAT (Ref # 92075)	92075-1153	1
DAMPER RUBBER,SEAT (Ref # 92075A)	92075-219	1
BOLT-UPSET,6X40 (Ref # 110)	112G0640	1
BOLT,HEX HEAD,6X50 (Ref # 110A)	110G0650	1
WASHER PLAIN 6MM (Ref # 411)	411B0600	1
WASHER SPRING 6MM (Ref # 461)	461F0600	1