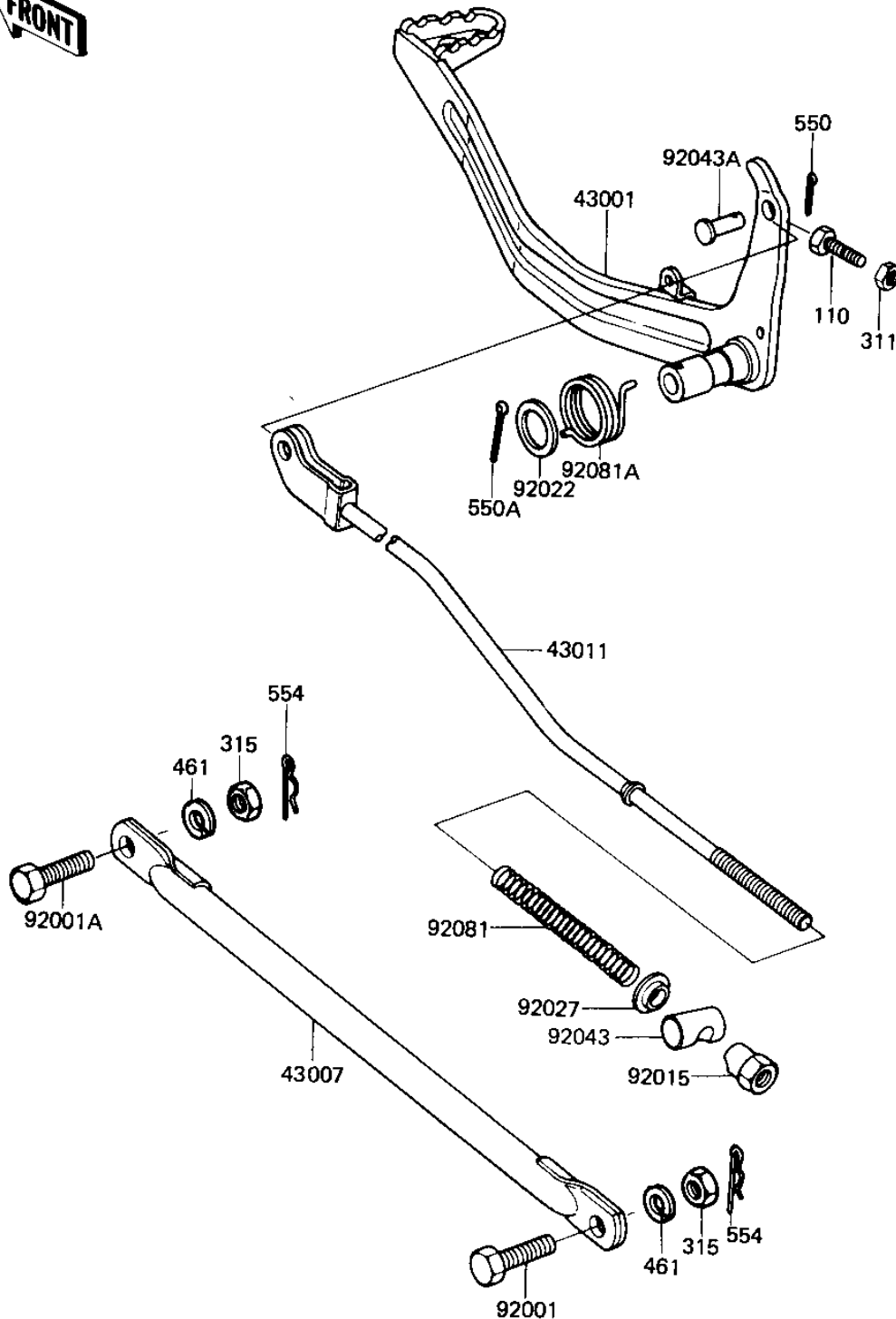


1982 KLR250 PARTS DIAGRAM

BRAKE PEDAL/TORQUE LINK

F2260-0058



1982 KLR250 PARTS LIST

BRAKE PEDAL/TORQUE LINK

ITEM NAME	PART NUMBER	QUANTITY
PEDAL,BRAKE (Ref # 43001)	43001-1031	1
TORQUE LINK,REAR BRAK (Ref # 43007)	43007-048	1
ROD,BRAKE (Ref # 43011)	43011-1013	1
BOLT HEX HEAD 10X25 (Ref # 92001)	92003-003	1
BOLT TORQUE LINK FIT (Ref # 92001A)	92003-017	1
NUT-BRAKE ROD ADJUST (Ref # 92015)	92015-042	1
WASHER,16.5X24X1.6 (Ref # 92022)	92022-1126	1
COLLAR (Ref # 92027)	92027-122	1
PIN-BRAKE ROD (Ref # 92043)	92043-065	1
PIN-BRAKE CABLE FIT (Ref # 92043A)	92043-092	1
SPRING,BRAKE ROD (Ref # 92081)	43012-001	1
SPRING,BRAKE PEDAL (Ref # 92081A)	92081-1131	1
BOLT-UPSET,6X20 (Ref # 110)	112G0620	1
NUT 6MM (Ref # 311)	311B0600	1
NUT 10MM (Ref # 315)	315B1000	2
WASHER SPRING 10MM (Ref # 461)	461F1000	2
PIN COTTER 2.0X15 (Ref # 550)	550D2015	1
PIN,COTTER,2.5X40 (Ref # 550A)	550D2540	1
PIN,SNAP (Ref # 554)	554A0800	2