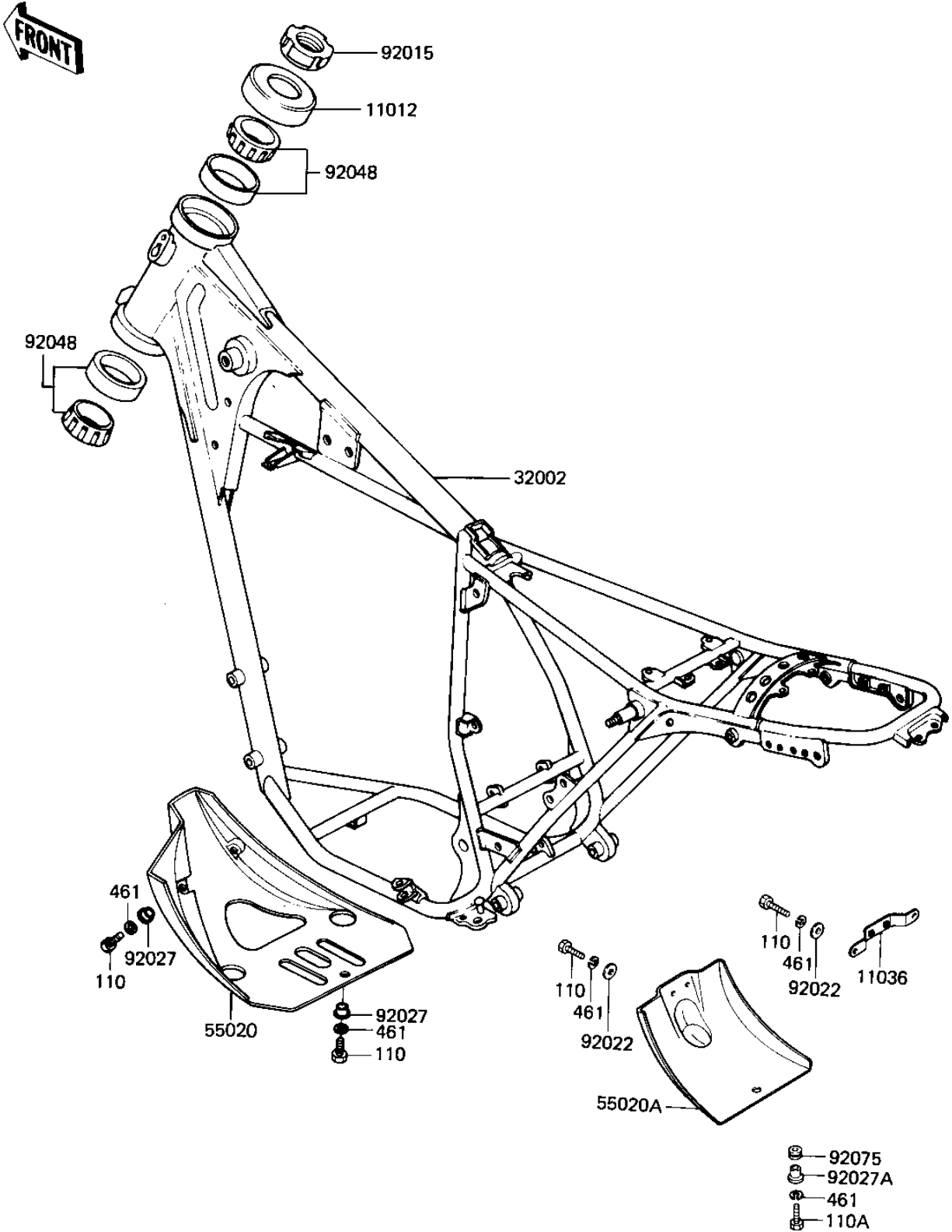


1982 KLR250 PARTS DIAGRAM

FRAME

F2120-0086



1982 KLR250 PARTS LIST

FRAME

ITEM NAME	PART NUMBER	QUANTITY
CAP,STEERING STEM (Ref # 11012)	46098-017	1
BRACKET-A (Ref # 11036)	11036-1073	1
FRAME (Ref # 32002)	32002-1074	1
GUARD,ENGINE (Ref # 55020)	55020-1023	1
GUARD,ENGINE (Ref # 55020A)	55020-1057	1
NUT (Ref # 92015)	92015-1546	1
WASHER 6.5X20X1.6T (Ref # 92022)	92022-125	4
COLLAR (Ref # 92027)	92027-122	3
COLLAR (Ref # 92027A)	92027-153	1
BEARING,STEERING STEM (Ref # 92048)	92047-017	2
DAMPER RUBBER,RR FEND (Ref # 92075)	92075-121	1
BOLT-UPSET 6X14 (Ref # 110)	112B0614	7
BOLT-UPSET,6X20 (Ref # 110A)	112G0620	1
WASHER SPRING 6MM (Ref # 461)	461F0600	8