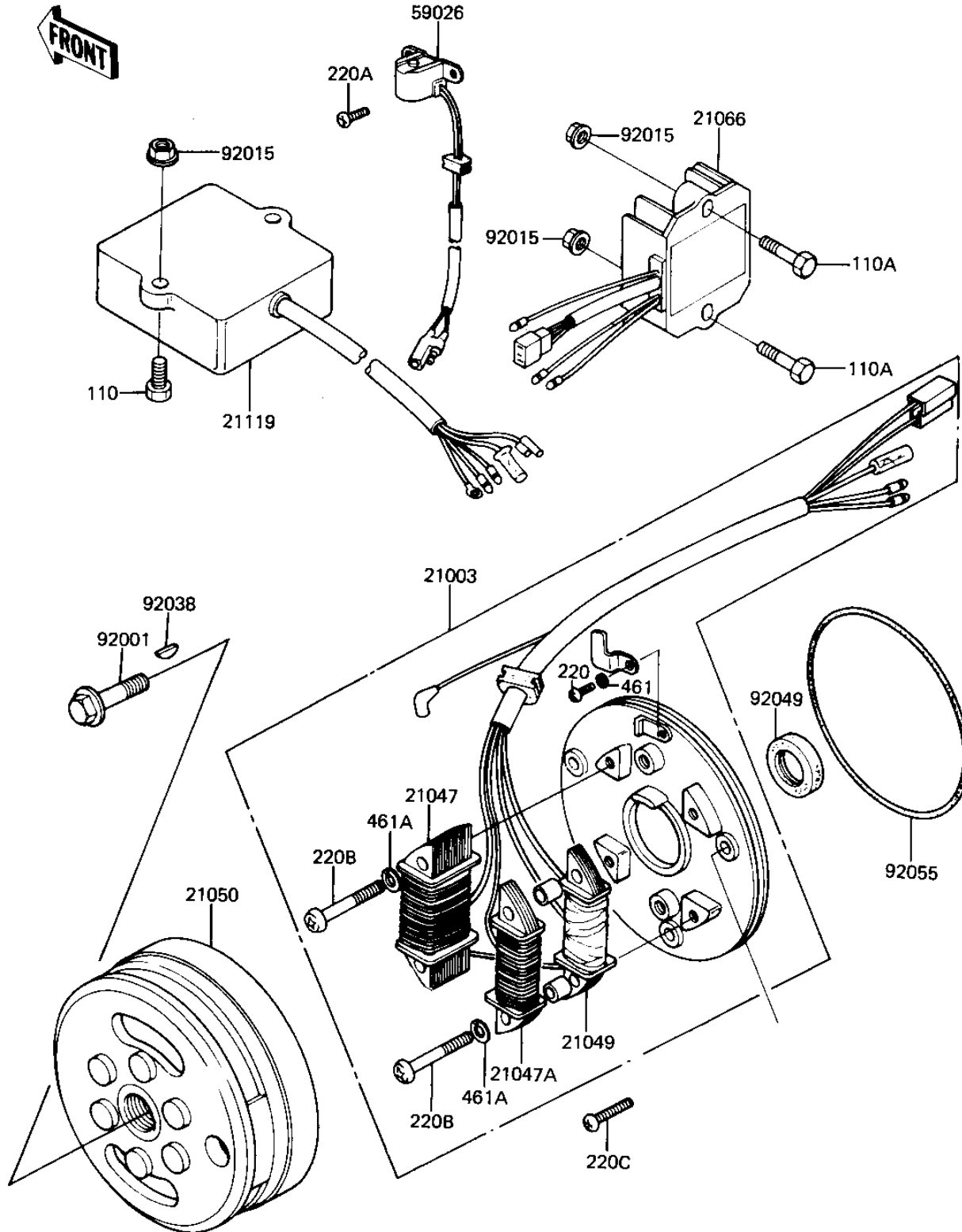


1982 KLR250 PARTS DIAGRAM

IGNITION/GENERATOR/REGULATOR

E1810-0038



1982 KLR250 PARTS LIST

IGNITION/GENERATOR/REGULATOR

ITEM NAME	PART NUMBER	QUANTITY
STATOR ASSY,MAGNETO (Ref # 21003)	21003-1034	1
COIL,LIGHTING"A" (Ref # 21047)	21047-1011	1
COIL,LIGHTING"B" (Ref # 21047A)	21047-1012	1
COIL,EXCITING (Ref # 21049)	21049-1008	1
FLYWHEEL,MAGNETO (Ref # 21050)	21050-1017	1
REGULATOR,VOLTAGE (Ref # 21066)	21066-1010	1
IGNITER (Ref # 21119)	21119-1006	1
COIL,PULSING (Ref # 59026)	59026-1005	1
BOLT,10X40 (Ref # 92001)	92001-1201	1
NUT-6MM (Ref # 92015)	92015-1078	1
WOODRUFF KEY (Ref # 92038)	92038-001	1
OIL SEAL,S-27408-LHS (Ref # 92049)	92049-1004	1
"O" RING,MAGNETO BASE (Ref # 92055)	92055-1006	1
BOLT-UPSET 6X14 (Ref # 110)	112B0614	1
BOLT-UPSET (Ref # 110A)	112G0625	1
SCREW PAN HEAD 4X6 (Ref # 220)	220B0406	1
SCREW PAN HEAD 5X8 (Ref # 220A)	220B0508	1
SCREW-PAN-CROS (Ref # 220B)	220B0535	1
SCREW PAN HEAD 6X25 (Ref # 220C)	220B0625	1
WASHER SPRING 4MM (Ref # 461)	461F0400	1
WASHER SPRING 5MM (Ref # 461A)	461F0500	1