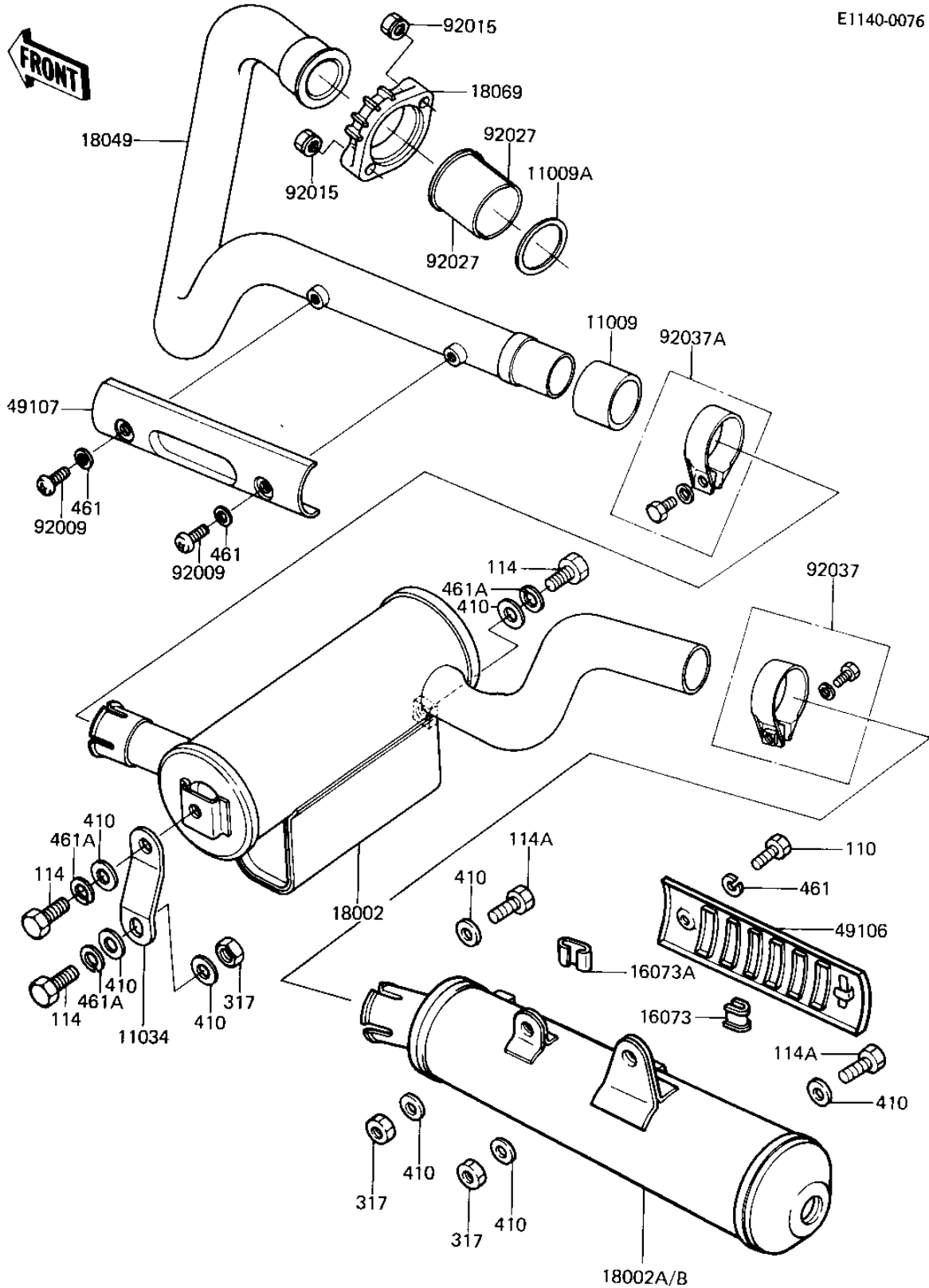


1982 KLR250 PARTS DIAGRAM

MUFFLER

E1140-0076



1982 KLR250 PARTS LIST

MUFFLER

ITEM NAME	PART NUMBER	QUANTITY
GASKET,MUFFLER CONNEC (Ref # 11009)	11060-1051	1
GASKET,EXHAUST PIPE H (Ref # 11009A)	11009-1866	1
BRACKET, (Ref # 11034)	11034-1734	1
INSULATOR (Ref # 16073)	18065-007	1
INSULATOR,HEAT (Ref # 16073A)	18065-010	1
BODY-COMP-MUFFLER (Ref # 18002)	18002-1276	1
BODY-COMP-MUFFLER (Canada) (Ref # 18002A)	18002-1240	1
BODY-COMP-MUFFLER (Ref # 18002B)	18002-1241	1
PIPE-EXHAUST,KHI E006 (Ref # 18049)	18049-1172	1
HOLDER EXHAUST PIPE (Ref # 18069)	18069-1014	1
COVER-MUFFLER (Ref # 49106)	49106-1005	1
COVER,EXHAUST PIPE (Ref # 49107)	49107-1001	1
SCREW (Ref # 92009)	92009-1054	2
NUT-8MM (Ref # 92015)	92015-1143	2
COLLAR,EXHAUST PIPE (Ref # 92027)	92027-264	2
CLAMP,PIPE,35MM (Ref # 92037)	92037-1223	1
CLAMP,MUFFLER,37MM (Ref # 92037A)	92037-1243	1
BOLT,6X10 (Ref # 110)	112G0610	1
BOLT-SMALL-UPSET,8X16 (Ref # 114)	115G0816	3
BOLT,8X20 (Ref # 114A)	115G0820	2
NUT,8MM (Ref # 317)	317G0800	2
WASHER PLAIN 8MM (Ref # 410)	410B0800	7
WASHER PLAIN 6MM (Ref # 411)	411B0600	1
WASHER SPRING 6MM (Ref # 461)	461F0600	3
WASHER SPRING 8MM (Ref # 461A)	461F0800	3