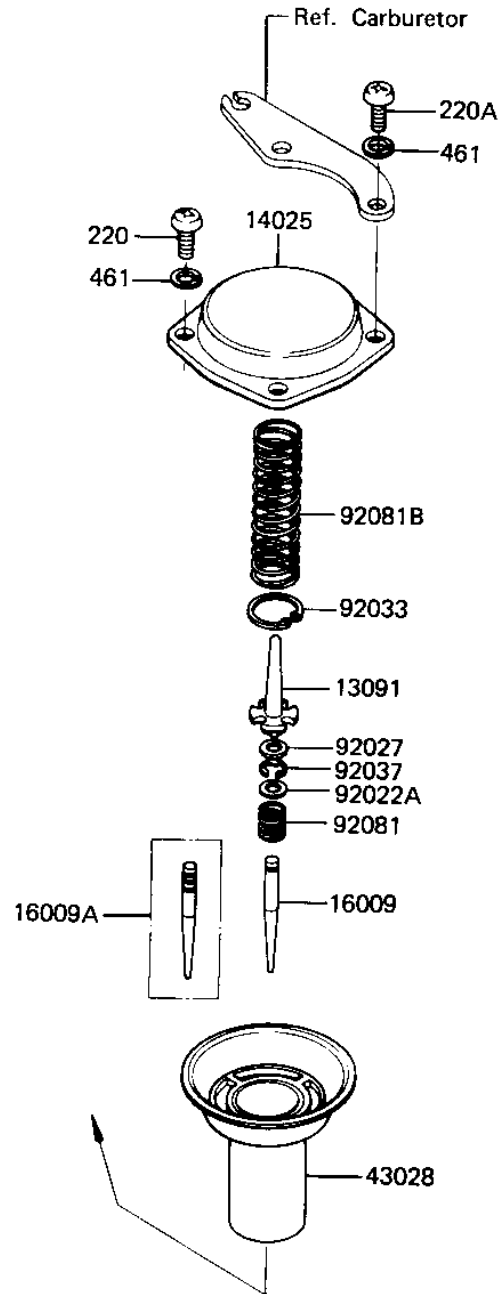
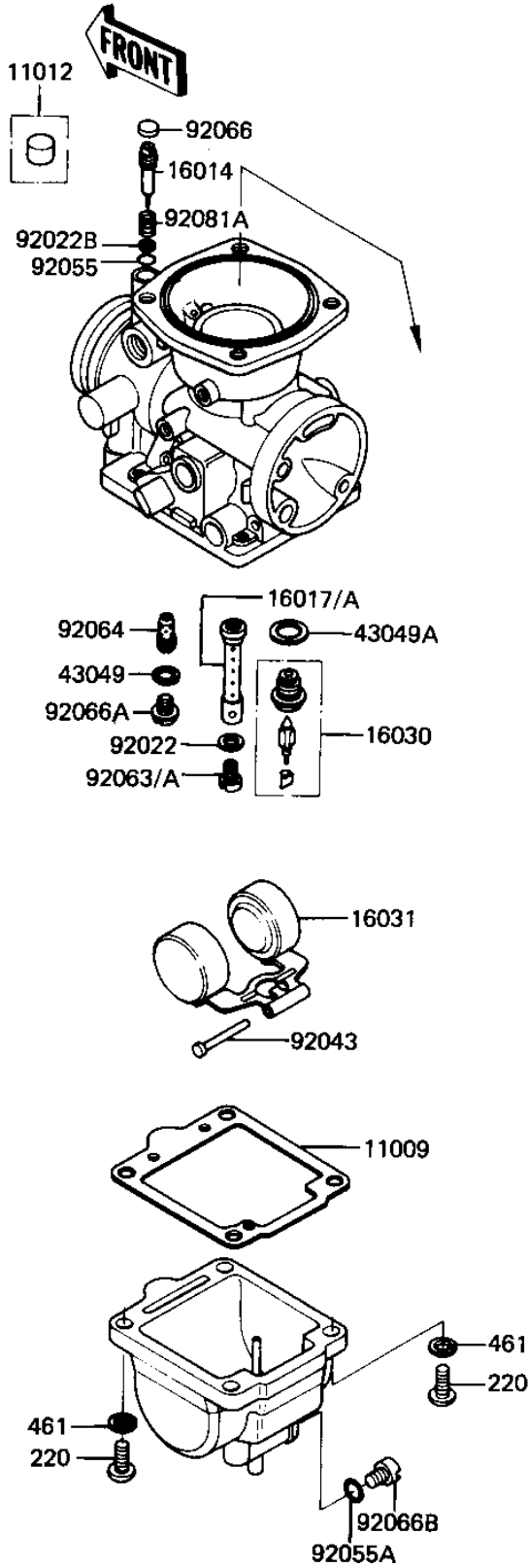


1982 KLR250 PARTS DIAGRAM

CARBURETOR PARTS

E1612-0028



1982 KLR250 PARTS LIST

CARBURETOR PARTS

ITEM NAME	PART NUMBER	QUANTITY
GASKET,FLOAT CHAMBER (Ref # 11009)	11009-1184	1
CAP THROTTLE ADJUSTER (Ref # 11012)	16037-002	1
HOLDER,JET NEEDLE (Ref # 13091)	13091-1026	1
COVER,DIAPHRAGM (Ref # 14025)	14025-1216	1
SCREW,PILOT AIR ADJST (Ref # 16014)	16014-1027	1
FLOAT VALVE ASSY (Ref # 16030)	16030-1012	1
FLOAT, (Ref # 16031)	16031-1012	1
DIAPHRAGM ASSY,CARBU (Ref # 43028)	43028-1020	1
PACKING (Ref # 43049)	43049-1009	1
PACKING,FLOAT VALVE (Ref # 43049A)	43049-1014	1
WASHER MAIN JET (Ref # 92022)	16034-001	1
WASHER,JET NEEDLE (Ref # 92022A)	92022-1123	1
WASHER,PILOT SCREW (Ref # 92022B)	92022-1187	1
RING,JET NEEDLE (Ref # 92027)	92027-1115	1
CIRCLIP (Ref # 92033)	92033-1009	1
CIRCLIP (Ref # 92037)	16008-014	1
PIN,FLOAT (Ref # 92043)	16032-008	1
"O" RING,PILOT SCREW (Ref # 92055)	92055-1078	1
"O" RING,DRAIN PLUG (Ref # 92055A)	92055-1093	1
MAIN JET NO 135R (Ref # 92063)	92063-104	1
MAIN JET,#A137.5 (Ref # 92063A)	92063-1087	1
PILOT JET,#A42.5 (Ref # 92064)	92064-1029	1
PLUG,PILOT SCREW (Ref # 92066)	92066-1051	1
PLUG, (Ref # 92066A)	92066-1058	1
PLUG,DRAIN (Ref # 92066B)	92066-1070	1
SPRING,JET NEEDLE (Ref # 92081)	92081-1126	1
SPRING,PILOT SCREW (Ref # 92081A)	92081-1216	1
SPRING,DIAPHRAGM (Ref # 92081B)	92081-1230	1
SCREW-PAN-CROS (Ref # 220)	220B0514	1

1982 KLR250 PARTS LIST

CARBURETOR PARTS

ITEM NAME	PART NUMBER	QUANTITY
UNAVAILABLE IN PRICE BOOK (Ref # 220A)	214B0516A	1
WASHER SPRING 5MM (Ref # 461)	461F0500	1