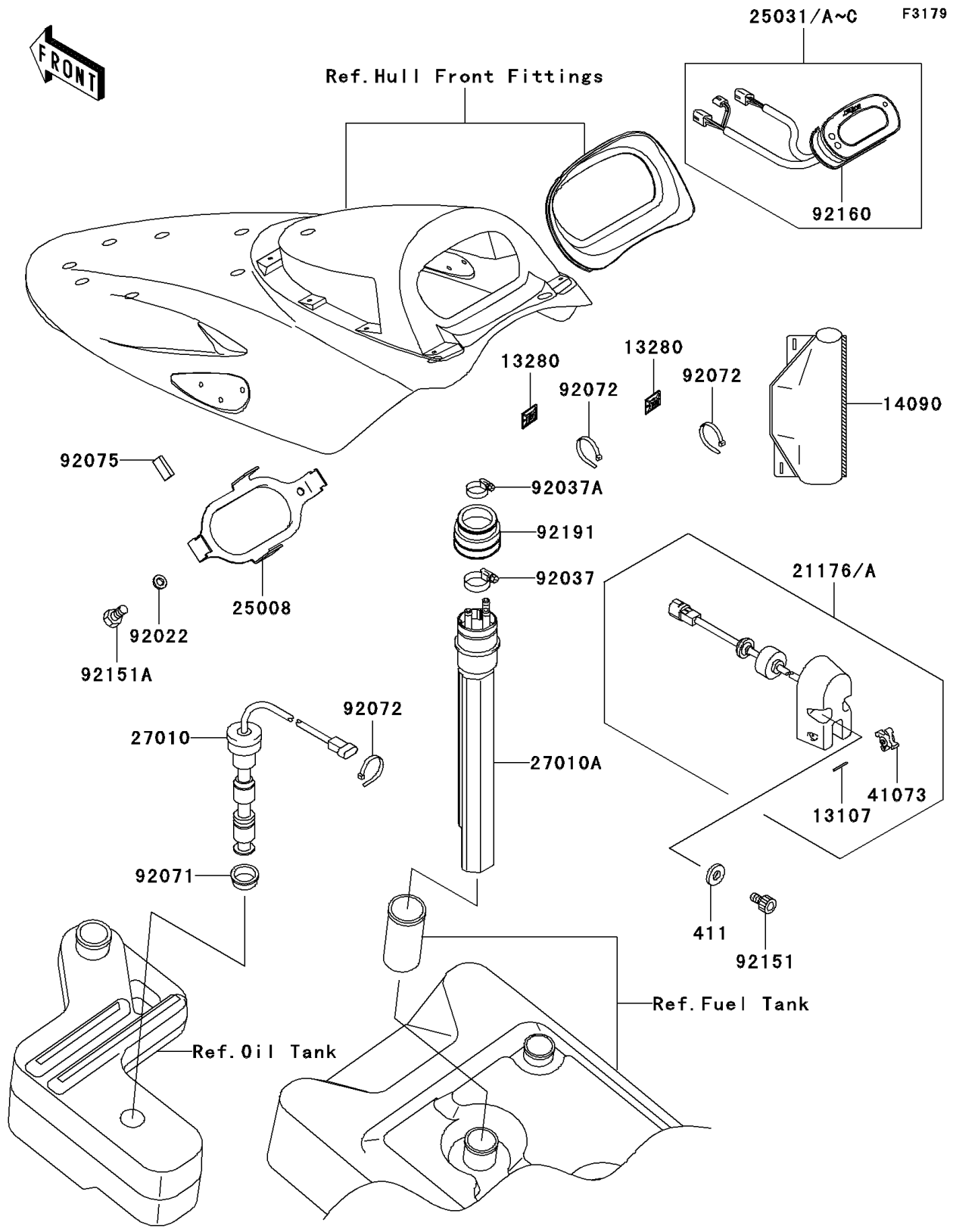


2005 Ultra 150 PARTS DIAGRAM

Meters



2005 Ultra 150 PARTS LIST

Meters

| ITEM NAME | PART NUMBER | QUANTITY |
|---|---------------|----------|
| WASHER-PLAIN,6MM (Ref # 411) | 411S0600 | 2 |
| SHAFT (Ref # 13107) | 13107-3754 | 1 |
| HOLDER (Ref # 13280) | 13280-3739 | 2 |
| COVER,COUPLER (Ref # 14090) | 14090-1611 | 1 |
| SENSOR,SPEEDOMETER,F.BLACK (Ref # 21176A) | 21176-3763-6Z | 1 |
| BRACKET-METER (Ref # 25008) | 25008-3709 | 1 |
| SWITCH,OIL LEVEL (Ref # 27010) | 27010-3765 | 1 |
| SWITCH,FUEL LEVEL (Ref # 27010A) | 27010-3776 | 1 |
| WHEEL-ASSY,PADDLE (Ref # 41073) | 41073-3701 | 1 |
| WASHER,5X16X1.5 (Ref # 92022) | 92022-3041 | 2 |
| CLAMP (Ref # 92037) | 92037-3009 | 1 |
| CLAMP (Ref # 92037A) | 92037-3738 | 1 |
| GROMMET (Ref # 92071) | 92071-3824 | 1 |
| BAND,L=188 (Ref # 92072) | 92072-1239 | 3 |
| DAMPER (Ref # 92075) | 92075-1446 | 4 |
| BOLT,6X10 (Ref # 92151) | 92151-3704 | 2 |
| BOLT,5X10 (Ref # 92151A) | 92151-3707 | 2 |
| DAMPER,METER (Ref # 92160) | 92160-3881 | 1 |
| TUBE (Ref # 92191) | 92191-3832 | 1 |
| METER-ASSY,MILE (Ref # 25031B) | 25031-3741 | 1 |
| METER-ASSY,KM (Ref # 25031C) | 25031-3742 | 1 |