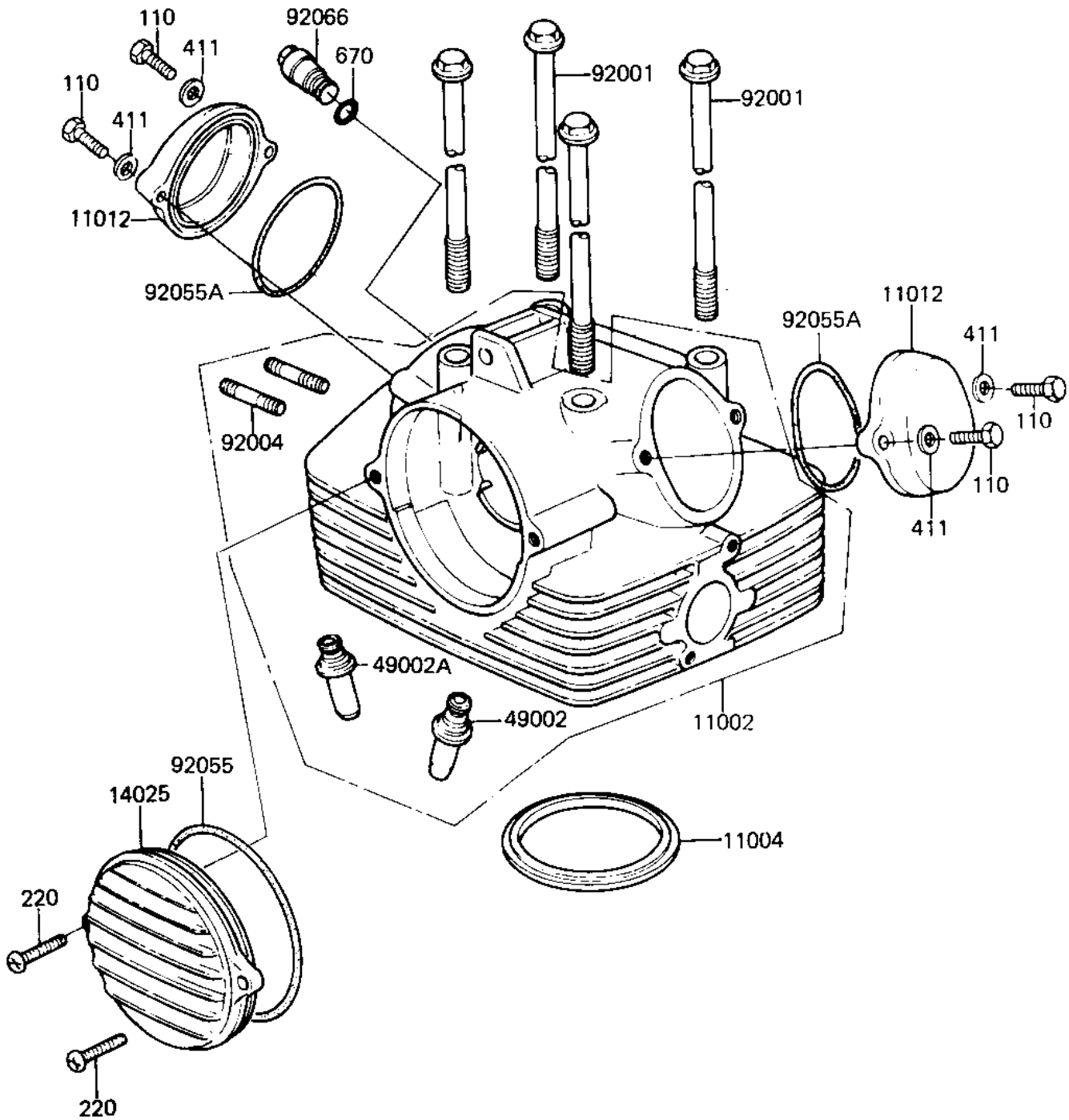


# 1982 KLR250 PARTS DIAGRAM

CYLINDER HEAD/COVERS

E1111-0052



# 1982 KLR250 PARTS LIST

## CYLINDER HEAD/COVERS

ITEM NAME	PART NUMBER	QUANTITY
HEAD ASSY,CYL,F.BLACK (Ref # 11002)	11002-5016	1
GASKET,CYLINDER HEAD (Ref # 11004)	11004-1002	1
CAP,ROCKER,FLAT BLACK (Ref # 11012)	11012-1078	2
COVER,CAM,FLAT BLACK (Ref # 14025)	14025-1103	1
GUIDE,INLET VALVE (Ref # 49002)	12013-003	1
GUIDE,EXHAUST VALVE (Ref # 49002A)	49002-1010	1
BOLT,8X233 (Ref # 92001)	92003-220	4
STUD,8X30 (Ref # 92004)	92004-1069	2
"O" RING,99M/M (Ref # 92055)	92055-107	1
"O" RING,53.5MM (Ref # 92055A)	92055-112	2
PLUG,TACHOMETER GEAR (Ref # 92066)	92066-060	1
BOLT-UPSET (Ref # 110)	112G0625	4
SCREW PAN HEAD 6X25 (Ref # 220)	220B0625	2
WASHER PLAIN 6MM (Ref # 411)	411B0600	4
"O" RING,10MM (Ref # 670)	670D1510	1