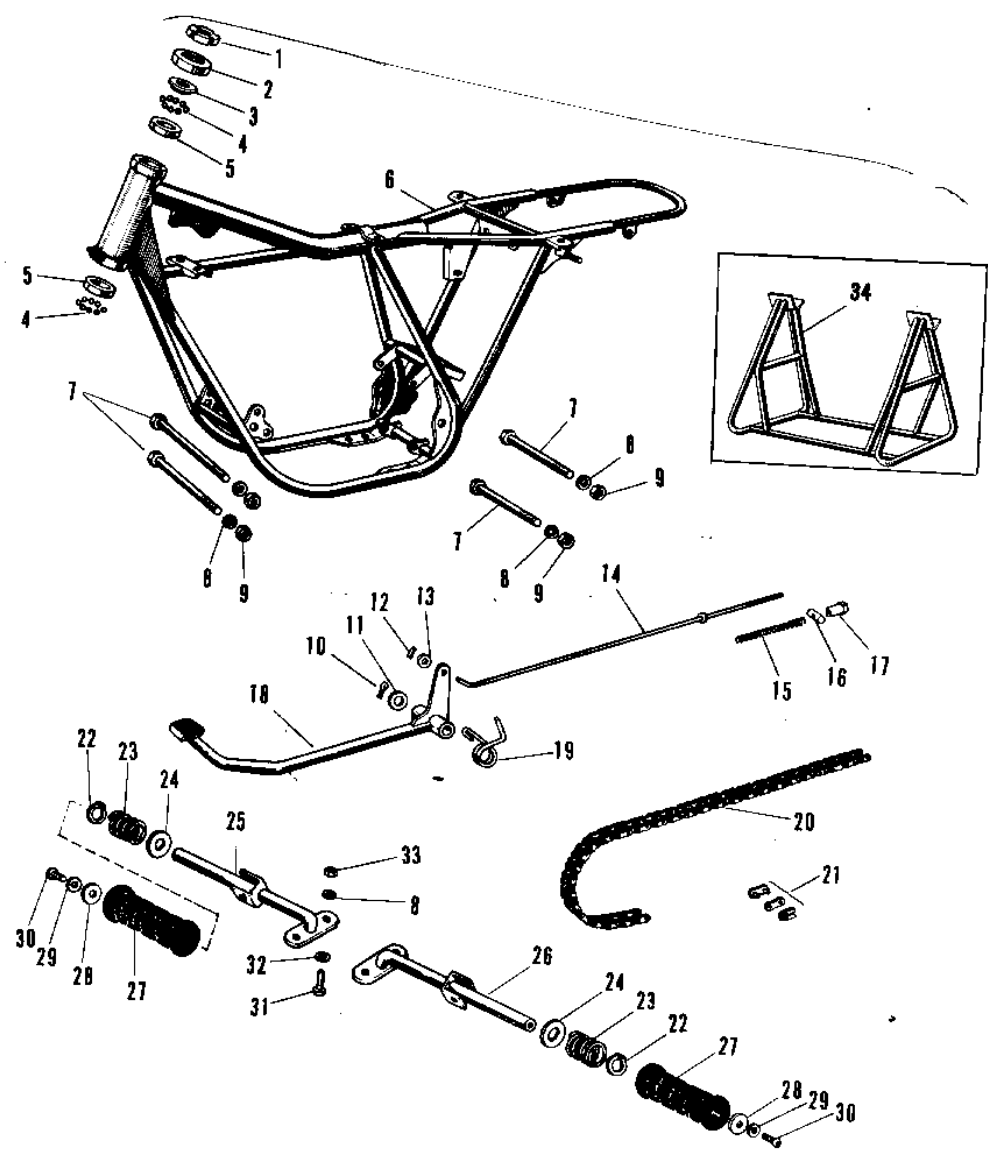


1970 Centurion PARTS DIAGRAM

FRAME/FRAME FITTINGS CHAIN



14

1
1
1
14
1
1
1
1
1
1
1
20
2
2
2
2
2
2
2
2
2
2
2
2
2
2
2
3
3
3
3



1970 Centurion PARTS LIST

FRAME/FRAME FITTINGS CHAIN

ITEM NAME	PART NUMBER	QUANTITY
NUT STEERING STEM LCK (Ref # 1)	92090-006	1
CAP STEERING STEM (Ref # 2)	46098-004	1
CONE UPPER BEARING (Ref # 3)	92047-005	1
BALL STEEL 3/16' (Ref # 4)	600A0600	46
RACE BEARING (Ref # 5)	92048-004	2
FRAME (Ref # 6)	32002-030	1
BOLT,FLANGED,10X115 (Ref # 7)	92001-1603	4
WASHER SPRING 10MM (Ref # 8)	461F1000	9
NUT,10MM (Ref # 9)	314B1000	4
PIN COTTER 3.0X30 (Ref # 10)	550D3030	1
WASHER BRAKE PEDAL (Ref # 11)	92022-085	1
PIN COTTER 2.0X15 (Ref # 12)	550D2015	1
WASHER PLAIN 6MM (Ref # 13)	410B0600	1
BRAKE ROD ASSY (Ref # 14~17)	43010-5003	1
SPRING,BRAKE ROD (Ref # 15)	43012-001	1
PIN BRAKE (Ref # 16)	92043-039	1
NUT-BRAKE ROD ADJUST (Ref # 17)	92015-042	1
PEDAL-BRAKE (Ref # 18)	43001-045	1
SPRING BRAKE PEDAL (Ref # 19)	43005-007	1
UNAVAILABLE IN PRICE BOOK (Ref # 20,21)	695Z43118	1
JOINT-CHAIN (Ref # 21)	92058-1015	1
CIRCLIP 16MM (Ref # 22)	480J1600	2
SPRING FOOTREST PEG (Ref # 23)	34006-002	2
WASHER FOLDING PEG (Ref # 24)	92022-049	2
BAR FOOTREST R.H (Ref # 25)	34003-019	1
BAR FOOTREST L.H (Ref # 26)	34003-018	1
RUBBER FOOTREST (Ref # 27)	92076-006	2
WASHER PLAIN (Ref # 28)	92022-024	2
WASHER SPRING 6MM (Ref # 29)	461F0600	2

1970 Centurion PARTS LIST

FRAME/FRAME FITTINGS CHAIN

ITEM NAME	PART NUMBER	QUANTITY
SCREW PAN HEAD 6X20 (Ref # 30)	220B0620	2
BOLT-UPSET,10X20 (Ref # 31)	112B1020	4
WASHER PLAIN 10MM (Ref # 32)	410B1000	4
NUT 10MM (Ref # 33)	312B1000	4
STAND PORTABLE (Ref # 34)	34033-008	1