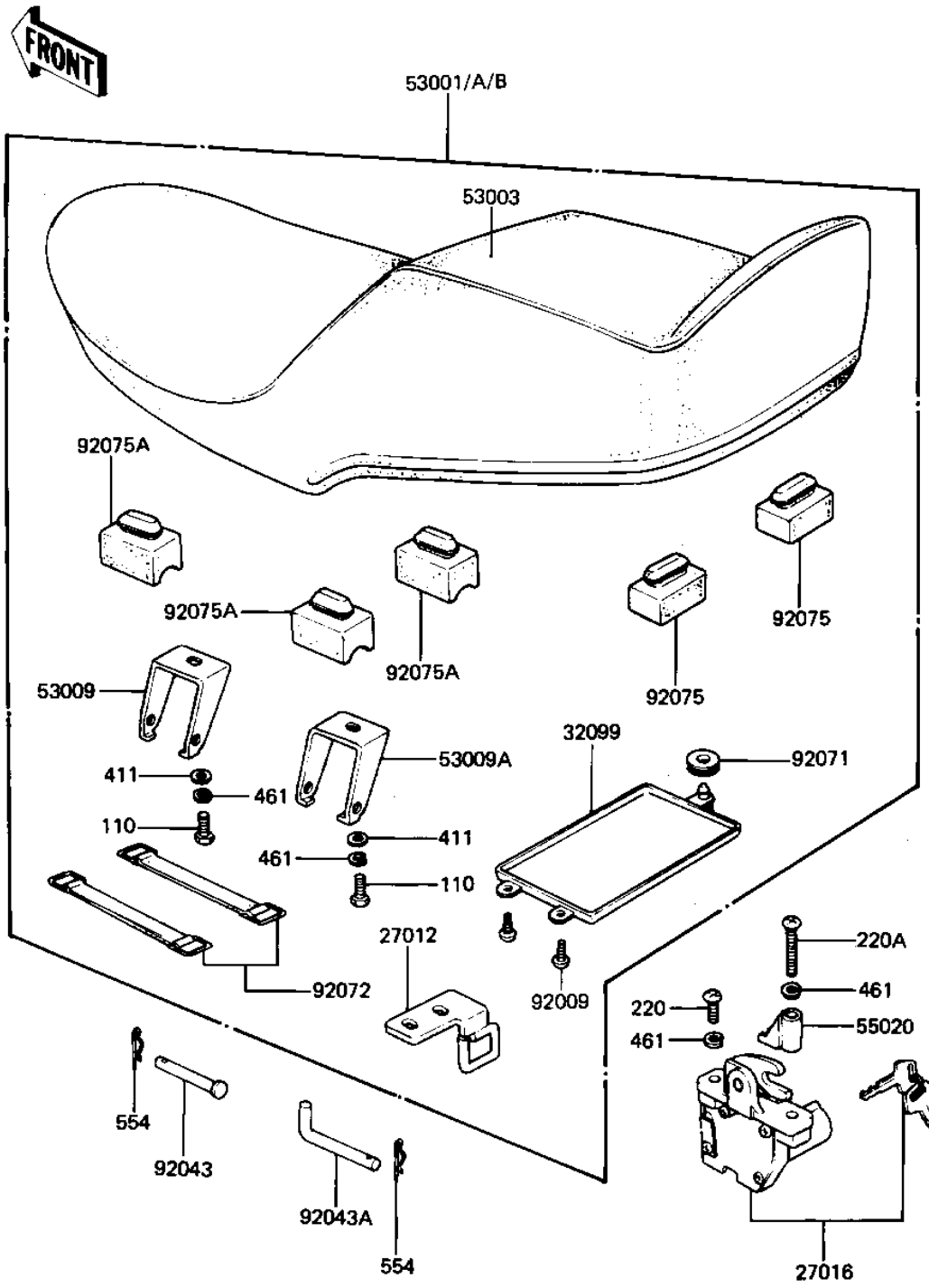


# 1982 LTD Belt PARTS DIAGRAM

SEAT ('81-'83 D2/D3/D4/D5)

F2510-0143



# 1982 LTD Belt PARTS LIST

SEAT ('81-'83 D2/D3/D4/D5)

ITEM NAME	PART NUMBER	QUANTITY
HOOK,SEAT (Ref # 27012)	27012-1011	1
LOCK ASSY,SEAT HELMET (Ref # 27016)	27016-5028	1
CASE (Ref # 32099)	32099-011	1
SEAT-ASSY,DUAL (Ref # 53001A)	53001-1252	1
HINGE, REAR (Ref # 53009)	53009-026	1
HINGE,SEAT (Ref # 53009A)	53009-1017	1
GUARD,SEAT LOCK (Ref # 55020)	55020-1031	1
SCREW (Ref # 92009)	92009-1043	2
PIN, DUAL SEAT PIVOT (Ref # 92043)	53011-006	1
PIN,SEAT PIVOT (Ref # 92043A)	92043-1064	1
GROMMET (Ref # 92071)	92071-056	1
BAND (Ref # 92072)	92072-1006	2
DAMPER RUBBER (Ref # 92075)	92075-099	2
DAMPER RUBBER-SEAT (Ref # 92075A)	92075-156	3
BOLT-UPSET 6X14 (Ref # 110)	112B0614	4
SCREW PAN HEAD 6X12 (Ref # 220)	220B0612	1
SCREW PAN HEAD 6X35 (Ref # 220A)	220B0635	1
WASHER PLAIN 6MM (Ref # 411)	411B0600	4
WASHER SPRING 6MM (Ref # 461)	461F0600	6
PIN,SNAP (Ref # 554)	554A0600	2