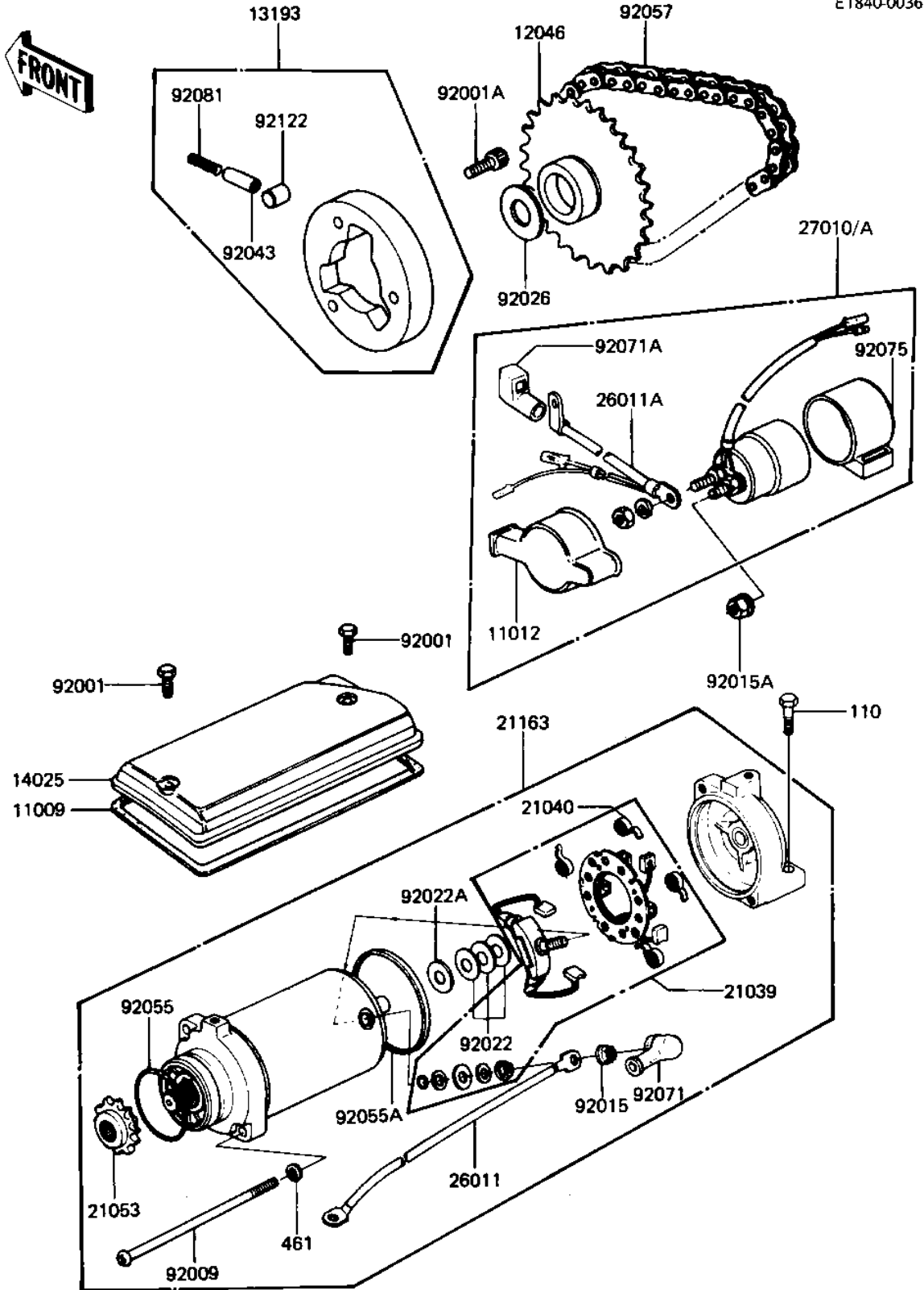


1983 LTD Belt PARTS DIAGRAM

STARTER MOTOR/STARTER CLUTCH ('81-'83 D2

E1840-0036



1
1
1
1
1
2
2
2
2
2
2
2
2
2
5
5
5
5
5
5
5
5
5
5
5
5
5
5

1983 LTD Belt PARTS LIST

STARTER MOTOR/STARTER CLUTCH ('81-'83 D2)

ITEM NAME	PART NUMBER	QUANTITY
GASKET,STARTER COVER (Ref # 11009)	11009-1006	1
COVER MAGNETIC SWITCH (Ref # 11012)	21141-004	1
SPROCKET,ONWAY CLUTCH (Ref # 12046)	12046-1030	1
CLUTCH ASSY,STARTER (Ref # 13193)	13193-1001	1
COVER,STARTER (Ref # 14025)	14025-1284	1
BRUSH SET,CARBON (Ref # 21039)	21039-1005	1
SPRING,CARBON BRUSH (Ref # 21040)	21040-1002	4
SPROCKET STARTNG MOT (Ref # 21053)	21053-002	1
MOTOR ASSY,STARTER (Ref # 21163)	21163-1011	1
WIRE STRTER MOT LEAD (Ref # 26011)	26010-035	1
WIRE LEAD MAG SWITCH (Ref # 26011A)	26011-1107	1
SWITCH,MAGNETIC (Ref # 27010A)	27010-1078	1
BOLT,6X10 (Ref # 92001)	92001-1151	2
BOLT (Ref # 92001A)	120P0816	3
SCREW,PAN HEAD,6X119 (Ref # 92009)	92009-1097	2
NUT-6MM (Ref # 92015)	92015-1078	2
NUT,LOCK 6MM (Ref # 92015A)	92017-014	1
WASHER,THRUST,0.2T (Ref # 92022)	21025-011	4
WASHER,THRUST,0.8T (Ref # 92022A)	92022-1132	1
SPACER,25X40X1 (Ref # 92026)	92026-1004	1
PIN (Ref # 92043)	92043-087	3
"0" RING,42.8MM (Ref # 92055)	21027-005	1
"0" RING,STARTER MOTR (Ref # 92055A)	92055-1086	1
CHAIN,DYNAMO (Ref # 92057)	92057-1009	1
CAP,STARTING MOTOR (Ref # 92071)	21017-020	1
CAP,MAG SWTCH TERMNL (Ref # 92071A)	21017-021	1
DAMPER MAG SWITCH SHK (Ref # 92075)	21064-002	1
SPRING (Ref # 92081)	92081-110	3
ROLLER (Ref # 92122)	92122-004	3

1983 LTD Belt PARTS LIST

STARTER MOTOR/STARTER CLUTCH ('81-'83 D2)

ITEM NAME	PART NUMBER	QUANTITY
BOLT-UPSET (Ref # 110)	112G0625	2
WASHER SPRING 6MM (Ref # 461)	461F0600	2