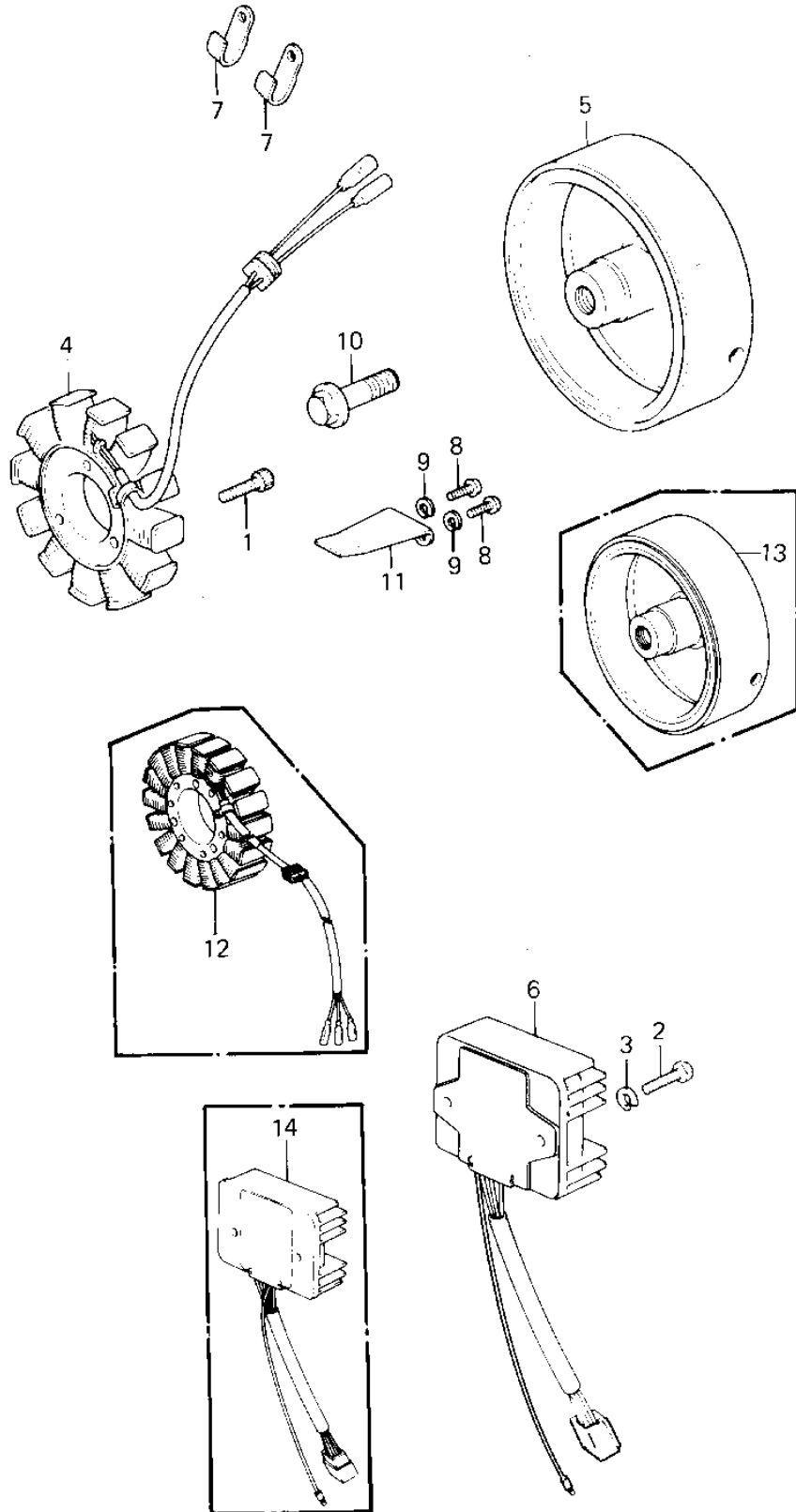


# 1980 LTD PARTS DIAGRAM

GENERATOR/REGULATOR ('80-'81 C1/C2)



## 1980 LTD PARTS LIST

### GENERATOR/REGULATOR ('80-'81 C1/C2)

ITEM NAME	PART NUMBER	QUANTITY
BOLT,ALLEN,6X28 (Ref # 1)	120P0628	3
BOLT-UPSET (Ref # 2)	112G0625	2
WASHER SPRING 6MM (Ref # 3)	461F0600	2
STATOR ASSY,GENERATOR (Ref # 4)	21003-1013	1
ROTOR,GENERATOR (Ref # 5)	21050-1007	1
REGULATOR,VOLTAGE (Ref # 6)	21066-1011	1
CLAMP,WIRING HARNESS (Ref # 7)	21126-008	2
SCREW PAN HEAD 5X12 (Ref # 8)	220B0512	2
WASHER SPRING 5MM (Ref # 9)	461F0500	2
BOLT,10X40 (Ref # 10)	92001-1201	1
CLAMP,GENERATOR WIRE (Ref # 11)	92037-1122	1
STATOR,GENERATOR (Ref # 12)	21003-1038	1
FLYWHEEL,GENERATOR (Ref # 13)	21050-1019	1
REGULATOR,VOLTAGE (Ref # 14)	21066-1008	1