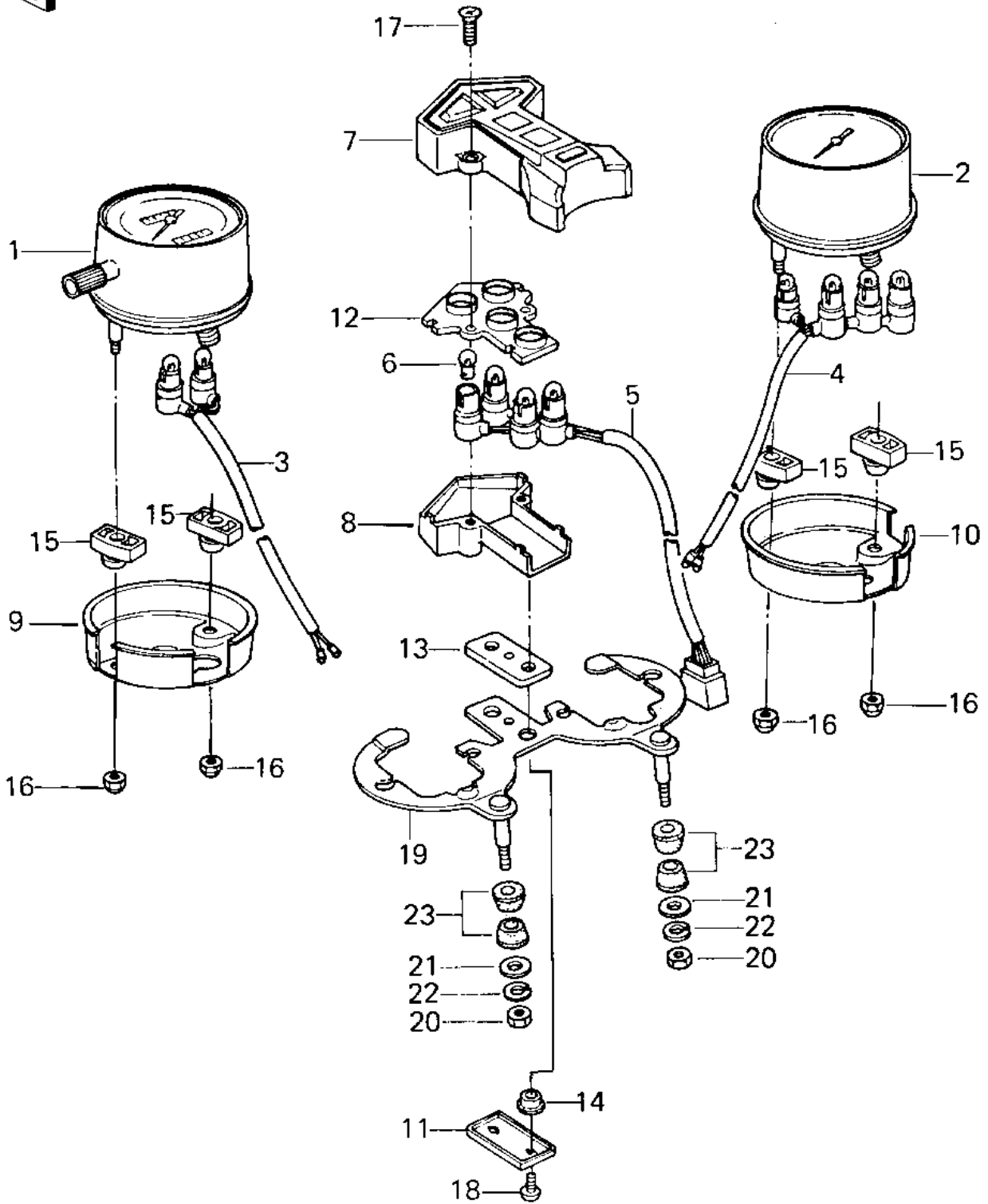


# 1981 KZ550-A2 PARTS DIAGRAM

METERS ('80-'81 A1/A2)



# 1981 KZ550-A2 PARTS LIST

METERS ('80-'81 A1/A2)

ITEM NAME	PART NUMBER	QUANTITY
SPEEDOMETER,MPH & KPH (Ref # 1)	25005-1066	1
SPEEDOMETER,KPH (Canada) (Ref # 1)	25005-1036	1
TACHOMETER,(X1000RPM) (Ref # 2)	25015-1031	1
TACHOMETER,(X1000RPM) (Ref # 2)	25015-1066	1
SOCKET,ASSY,SPEEDOMET (Ref # 3)	23008-1028	1
SOCKET ASSY,TACHOMETR (Ref # 4)	23008-1029	1
SOCKET ASSY,TACHOMETE (Ref # 4)	23008-1066	1
SOCKET ASSY,PILOT BOX (Ref # 5)	23008-1030	1
BULB 12V 3W (Ref # 6)	92069-018	10
BULB 12V 3W (Ref # 6)	92069-018	11
COVER,PILOT BOX,UPPER (Ref # 7)	25023-1007	1
COVER,PILOT BOX,LOWER (Ref # 8)	14025-1067	1
COVER,SPEEDOMETER (Ref # 9)	14025-1068	1
COVER,TACHOMETER (Ref # 10)	14025-1069	1
COVER,PILOT BOX DAMPR (Ref # 11)	14025-1070	1
PLATE,SOCKET (Ref # 12)	13169-1120	1
DAMPER RUBBER-CYL (Ref # 13)	92075-110	1
DAMPER RUBBER,MET FIT (Ref # 14)	25019-023	2
SHOCK DAMPER,METER (Ref # 15)	92075-1101	4
NUT-CAP,5MM (Ref # 16)	322N0500	4
SCREW,4X10 (Ref # 17)	92009-1039	2
SCREW,TAPPING,4X10 (Ref # 18)	92009-1040	2
BRACKET,METER (Ref # 19)	25008-1011	1
NUT,8M/M (Ref # 20)	317B0800	2
WASHER PLAIN 8MM (Ref # 21)	411B0800	2
WASHER SPRING 8MM (Ref # 22)	461F0800	2
DAMPER RUBBER (Ref # 23)	92075-080	4