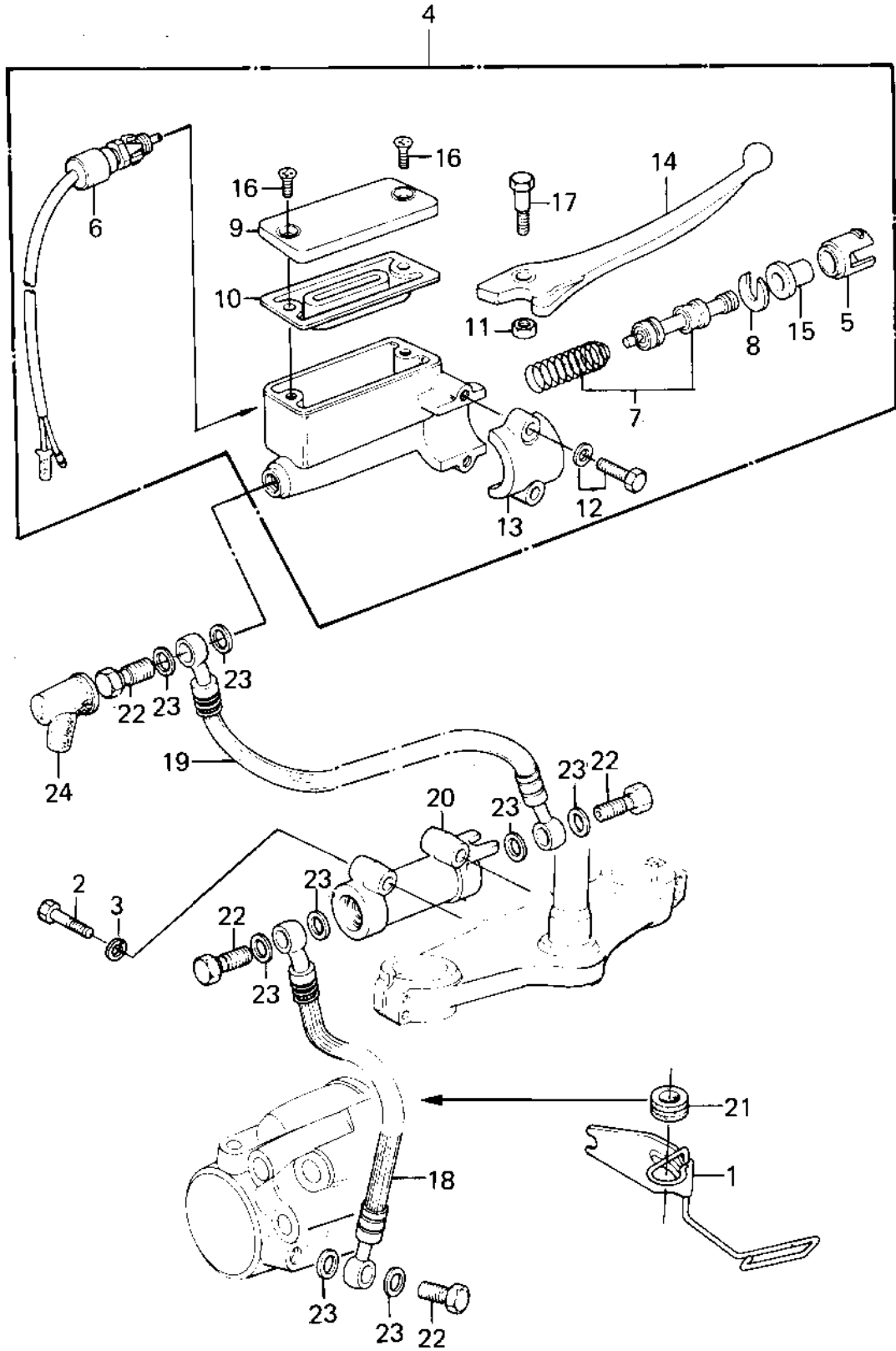


# 1981 KZ550-A2 PARTS DIAGRAM

FRONT MASTER CYLINDER (KZ550-A1)



# 1981 KZ550-A2 PARTS LIST

## FRONT MASTER CYLINDER (KZ550-A1)

ITEM NAME	PART NUMBER	QUANTITY
BRACKET (Ref # 1)	11034-1041	1
BOLT 6X35 (Ref # 2)	110R0635	2
WASHER SPRING 6MM (Ref # 3)	461F0600	2
CYLINDER ASSY,FR MAST (Ref # 4)	43015-1038	1
LINER,PISTON (Ref # 5)	14008-1007	1
SWITCH,BRAKE (Ref # 6)	27010-1028	1
PISTON-COMP-BRAKE (Ref # 7)	43020-1026	1
STOPER,PISTON (Ref # 8)	43022-1001	1
CAP,OIL CUP (Ref # 9)	43026-1006	1
DIAPHRAGM (Ref # 10)	43028-1008	1
NUT 6MM (Ref # 11)	312B0600	1
BOLT,HEX HEAD,6X25 (Ref # 12)	43033-003	2
HOLDER,MASTER CYLINDR (Ref # 13)	43034-1001	1
LEVER-GRIP,FRONT BRAK (Ref # 14)	46092-1034	1
DUST COVER (Ref # 15)	49016-1010	1
SCREW,COUNTERSUNK HED (Ref # 16)	92001-1055	2
BOLT,CLUTCH LEV FITT (Ref # 17)	92001-1056	1
HOSE,FRONT CALIPER (Ref # 18)	43059-1045	1
HOSE,FRONT MASTER CYL (Ref # 19)	43059-1059	1
JOINT,FR BRAKE HOSE (Ref # 20)	43061-1002	1
DAMPER RUBBER,CYL HSE (Ref # 21)	43064-006	1
BOLT,OIL,L=23 (Ref # 22)	92002-1888	4
WASHER-OIL BOLT (Ref # 23)	43067-001	8
BOOT,DUST (Ref # 24)	49006-1041	1