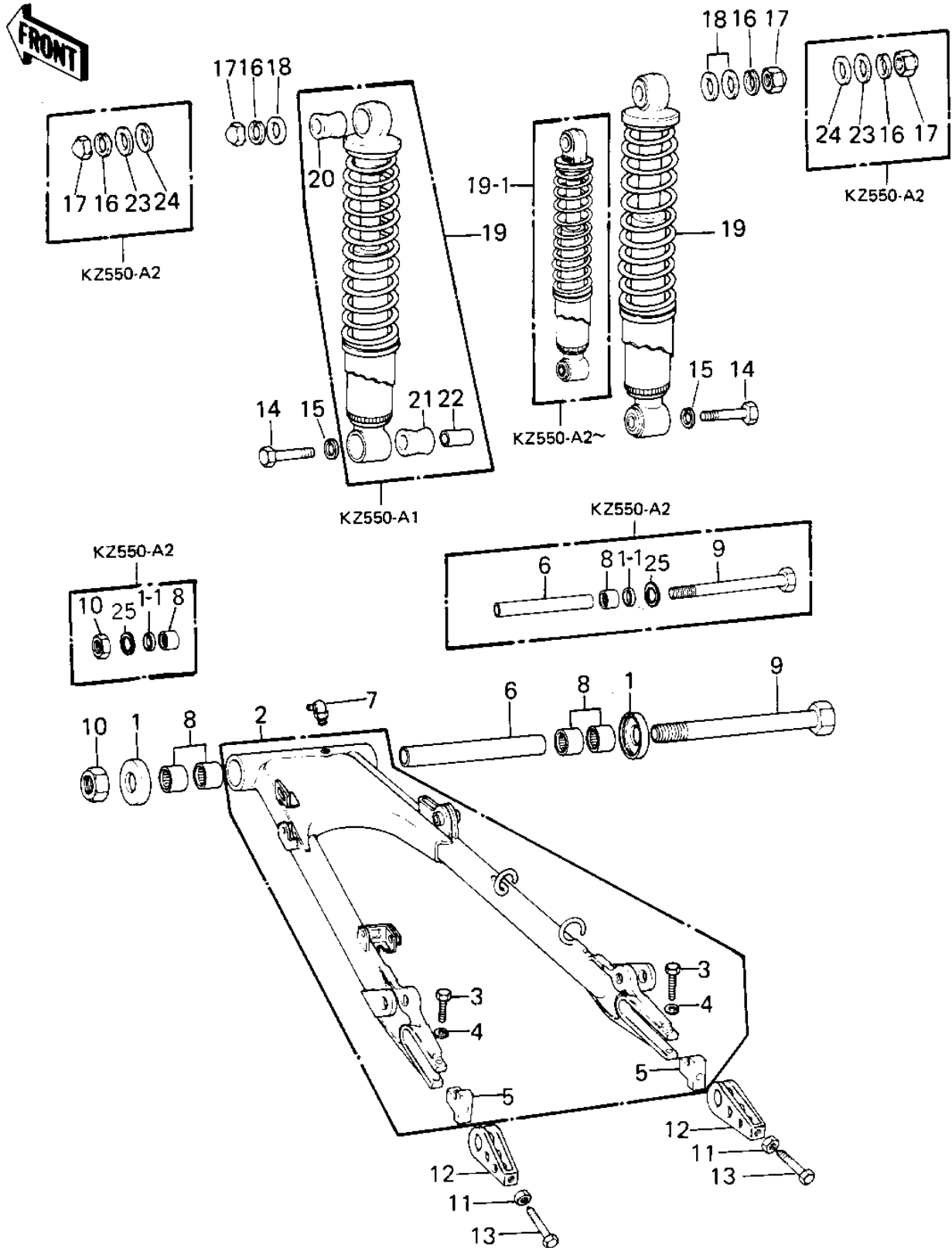


# 1981 KZ550-A2 PARTS DIAGRAM

SWING ARM/SHOCK ABSORBERS ('80-'81 A1/A2)



# 1981 KZ550-A2 PARTS LIST

SWING ARM/SHOCK ABSORBERS ('80-'81 A1/A2)

ITEM NAME	PART NUMBER	QUANTITY
CAP,SWING ARM (Ref # 1)	11012-1029	2
OIL SEAL,MHA22284 (Ref # 1-1)	92049-1059	2
ARM-COMP-SWING (Ref # 2)	33001-1098	1
ARM-COMP-SWING (Ref # 2)	33001-1098	1
BOLT,SMALL UPSET (Ref # 3)	115G0835	2
WASHER SPRING 8MM (Ref # 4)	461F0800	2
STOPPER,CHAIN ADJUST (Ref # 5)	33044-002	2
SLEEVE,SWING ARM (Ref # 6)	42036-1018	1
GREASE NIPPLE (Ref # 7)	92005-002	1
BEARING-NEEDLE,HK2216 (Ref # 8)	92046-1115	4
BEARING-NEEDLE,HK2216 (Ref # 8)	92046-1115	2
SHAFT,SWING ARM (Ref # 9)	33032-1004	1
NUT-LOCK,14MM (Ref # 10)	92019-011	1
NUT 8MM (Ref # 11)	318B0800	2
ADJUSTER,CHAIN (Ref # 12)	33040-056	2
BOLT,8X50 (Ref # 13)	92001-1399	2
BOLT,8X50 (Ref # 13)	92001-1399	2
BOLT HEX HEAD 10X35 (Ref # 14)	113N1035	2
WASHER SPRING 10MM (Ref # 15)	461F1000	2
WASHER SPRING 10MM (Ref # 16)	461F1000	2
NUT SHOCK ABSORBER (Ref # 17)	92020-003	2
WASHER-PLN,10X22X3.2 (Ref # 18)	92022-176	3
SHOCK ABSBR RR (Ref # 19)	45014-1036	2
SHOCK ABSBR RR (Ref # 19-1)	45014-1082	2
BUSHING,SHCK ABS RUB (Ref # 20)	45017-015	2
BUSHING, SHCK ABS RUB (Ref # 21)	45017-012	2
BUSHING,SHOCK ABSORB (Ref # 22)	45016-008	2
WASHER PLAIN 10MM (Ref # 23)	411B1000	2
WASHER-PLN,10X22X3.2 (Ref # 24)	92022-176	2