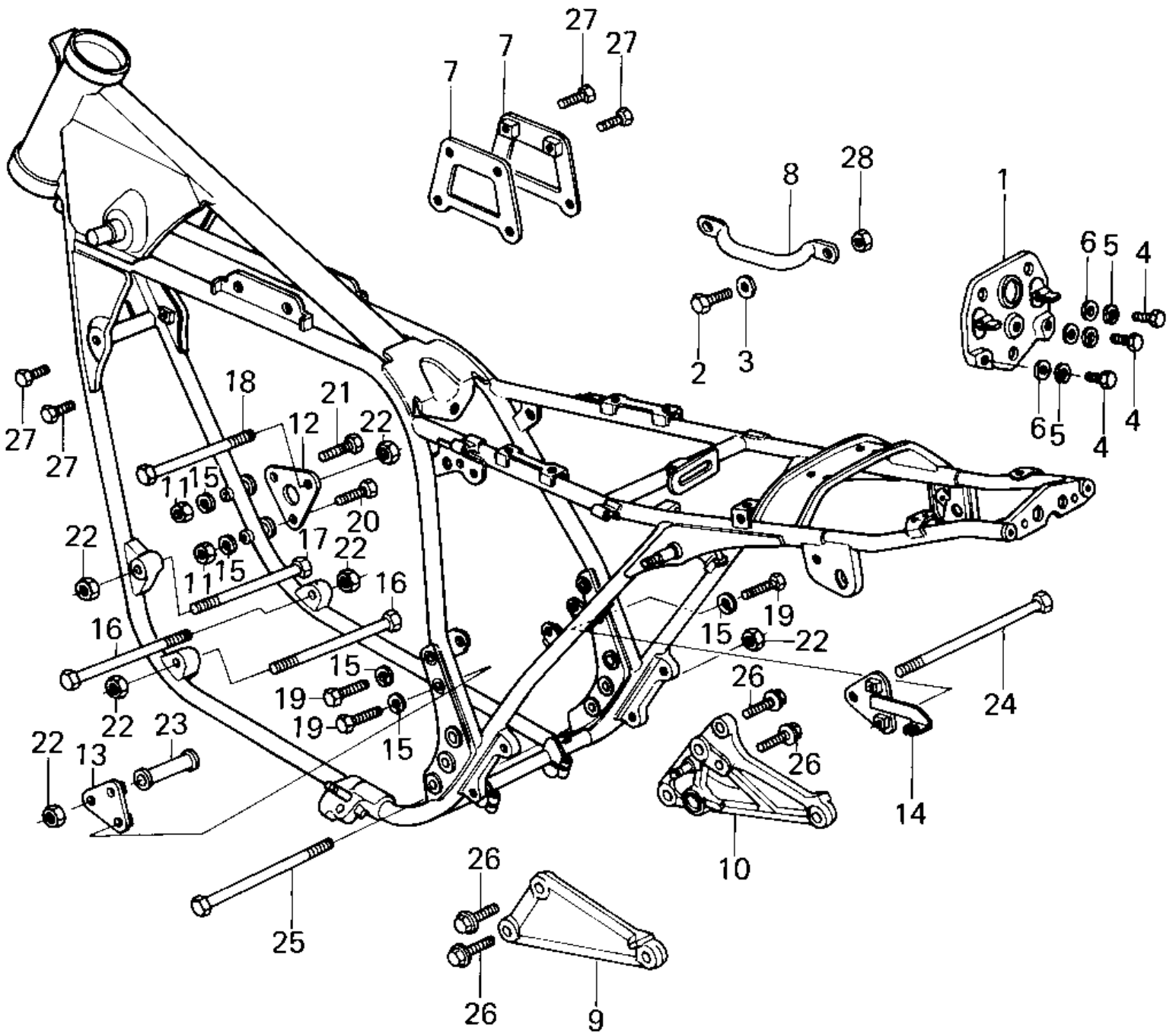


1980 KZ750-E1 PARTS DIAGRAM

FRAME FITTINGS (80 KZY 50-E1)



1980 KZ750-E1 PARTS LIST

FRAME FITTINGS ('80 KZY 50-E1)

ITEM NAME	PART NUMBER	QUANTITY
BRACKET,TAIL LAMP (Ref # 1)	11034-1753	1
BOLT-SMALL-UPSET,8X18 (Ref # 2)	115G0818	1
WASHER PLAIN 8MM (Ref # 3)	410B0800	1
BOLT-UPSET,6X12 (Ref # 4)	112G0612	3
WASHER SPRING 6MM (Ref # 5)	461F0600	3
WASHER PLAIN 6MM (Ref # 6)	411B0600	3
PLATE,IGNITION COIL (Ref # 7)	21048-1001	2
GRIP,FRAME (Ref # 8)	32109-1013	1
STAY,MUFFLER,LH (Ref # 9)	35011-1080	1
STAY,MUFFLER,RH (Ref # 10)	35011-1081	1
NUT,8MM (Ref # 11)	311B0800	2
PLATE,FRONT ENG.MOUNT (Ref # 12)	32030-063	1
PLATE,RR ENG MONT,L.H (Ref # 13)	32030-064	1
PLATE,ENG.MOUNT,R.H. (Ref # 14)	32029-1129	1
WASHER SPRING 8MM (Ref # 15)	461F0800	6
BOLT,HEX HEAD,10X84 (Ref # 16)	92001-1048	2
BOLT,HEX HEAD,10X72 (Ref # 17)	92001-1049	1
BOLT,HEX HEAD,10X46 (Ref # 18)	92001-1050	1
BOLT,HEX HEAD,8X40 (Ref # 19)	92001-1230	4
BOLT,FLANGED,8X60 (Ref # 20)	92001-1581	1
BOLT-8X63 (Ref # 21)	92001-1397	1
NUT,LOCK,10MM (Ref # 22)	92019-021	6
COLLAR,L=54MM. (Ref # 23)	92027-275	1
BOLT,ENGINE MOUNTING (Ref # 24)	92091-023	1
BOLT,HEX HEAD,10X219 (Ref # 25)	92091-032	1
BOLT,8X28 (Ref # 26)	92001-1095	4
BOLT,HEX HEAD,6X12 (Ref # 27)	92001-1171	4
NUT-8MM (Ref # 28)	92015-1022	1