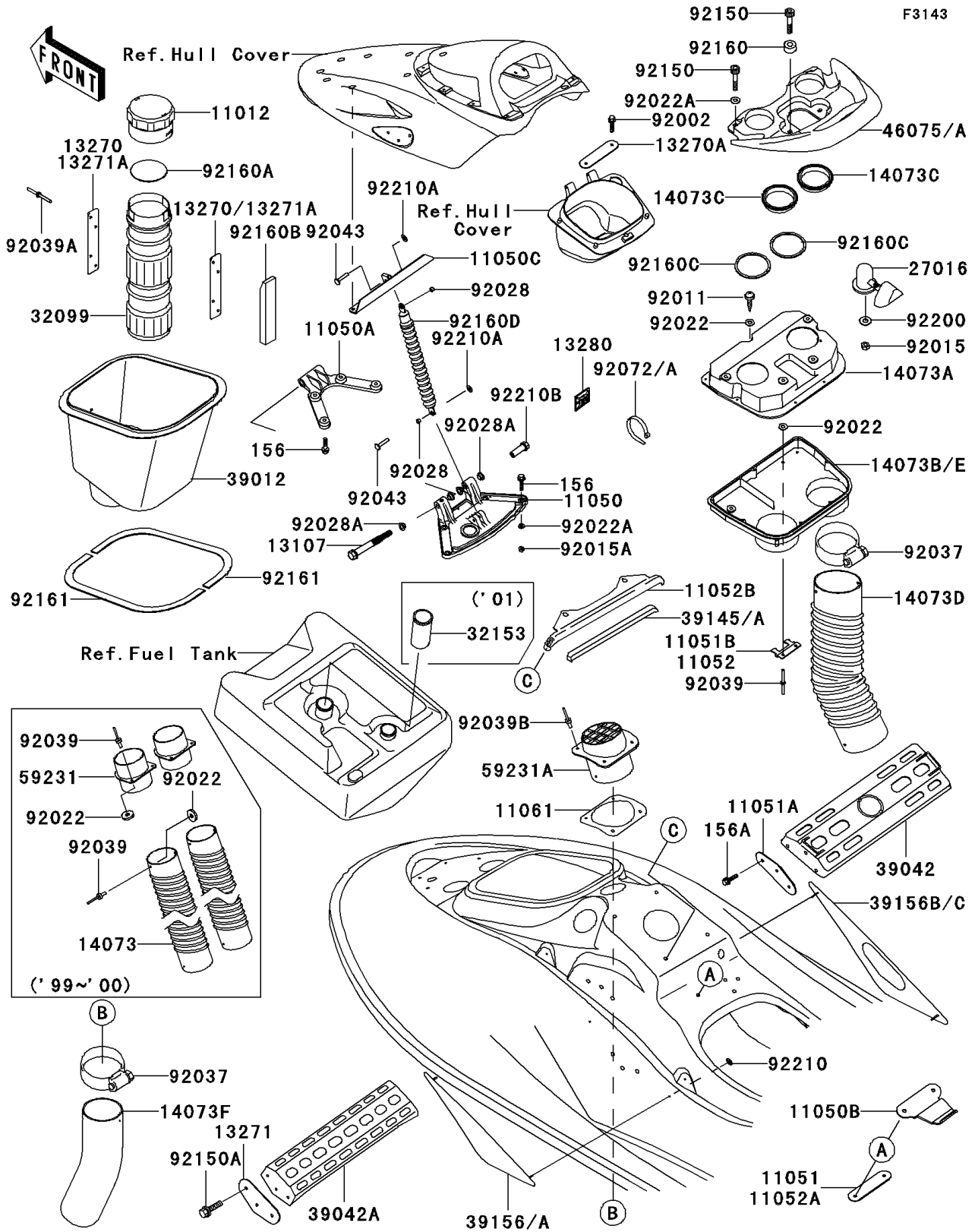


# 2000 Ultra 150 PARTS DIAGRAM

## Hull Fittings



## 2000 Ultra 150 PARTS LIST

### Hull Fittings

ITEM NAME	PART NUMBER	QUANTITY
CAP,FIRE EXTINGUISHER (Ref # 11012)	11012-3766	1
BRACKET (Ref # 11050)	11050-3743	1
BRACKET (Ref # 11050A)	11050-3744	1
BRACKET (Ref # 11050B)	11050-3775	1
BRACKET (Ref # 11050C)	11050-3778	1
BRACKET (Ref # 11051)	11051-3754	1
BRACKET (Ref # 11051A)	11051-3760	2
BRACKET (Ref # 11051B)	11051-3781	1
SHAFT (Ref # 13107)	13107-3767	1
PLATE,FIRE EXTINGUISHER (Ref # 13270)	13270-3729	2
PLATE (Ref # 13270A)	13270-3909	1
PLATE,CROSSMEMBER (Ref # 13271)	13271-3743	2
HOLDER (Ref # 13280)	13280-3706	2
DUCT,FR (Ref # 14073)	14073-3764	2
DUCT,RR,UPP (Ref # 14073A)	14073-3767	1
DUCT (Ref # 14073C)	14073-3769	2
DUCT (Ref # 14073D)	14073-3771	1
DUCT,RR,LWR (Ref # 14073E)	14073-3782	1
LOCK-ASSY,SEAT,F.BLACK (Ref # 27016)	27016-3744-6Z	1
CASE,FIRE EXTINGUISHER (Ref # 32099)	32099-3769	1
CASE-STORAGE (Ref # 39012)	39012-3721	1
CROSSMEMBER,FR (Ref # 39042)	39042-3707	1
CROSSMEMBER,RR (Ref # 39042A)	39042-3708	1
TRIM-SEAL,L=330 (Ref # 39145)	39145-3778	1
PAD,LH,F.BLACK (Ref # 39156A)	39156-3823-6Z	1
PAD,RH,F.BLACK (Ref # 39156C)	39156-3825-6Z	1
GRIP,TAIL,F.BLACK (Ref # 46075A)	46075-3746-6Z	1
FILLER (Ref # 59231)	59231-3722	2
BOLT-WP,6X20 (Ref # 156)	156R0620	8

## 2000 Ultra 150 PARTS LIST

### Hull Fittings

ITEM NAME	PART NUMBER	QUANTITY
BOLT-WP,6X25 (Ref # 156A)	156R0625	6
BOLT,6X25 (Ref # 92002)	92002-3714	2
SCREW (Ref # 92011)	92011-562	7
NUT,FLANGED,8MM (Ref # 92015)	92015-3709	1
NUT,6MM (Ref # 92015A)	92015-3767	4
WASHER,5X16X1.5 (Ref # 92022)	92022-3041	19
WASHER,6.5X20X1.5 (Ref # 92022A)	92022-3710	6
BUSHING (Ref # 92028)	92028-3765	2
BUSHING (Ref # 92028A)	92028-3770	4
CLAMP,MAX120.7MM (Ref # 92037)	92037-3733	1
RIVET (Ref # 92039)	92039-3747	12
RIVET (Ref # 92039A)	92039-3755	4
PIN,6X33 (Ref # 92043)	92043-3748	2
BAND,L=292.1 (Ref # 92072)	92072-3509	2
BOLT,SOCKET,6X30 (Ref # 92150)	92150-3822	4
BOLT,8X30 (Ref # 92150A)	92150-3828	6
DAMPER (Ref # 92160)	92160-3738	2
DAMPER (Ref # 92160A)	92160-3814	1
DAMPER (Ref # 92160B)	92160-3821	1
DAMPER (Ref # 92160C)	92160-3910	2
DAMPER (Ref # 92160D)	92160-3919	1
DAMPER (Ref # 92161)	92161-3714	2
WASHER,8.5X25X1.5 (Ref # 92200)	92200-3717	1
NUT,SPEED,3MM (Ref # 92210)	92210-3734	4
NUT,SPEED,6MM (Ref # 92210A)	92210-3739	2
NUT,8MM (Ref # 92210B)	92210-3748	1