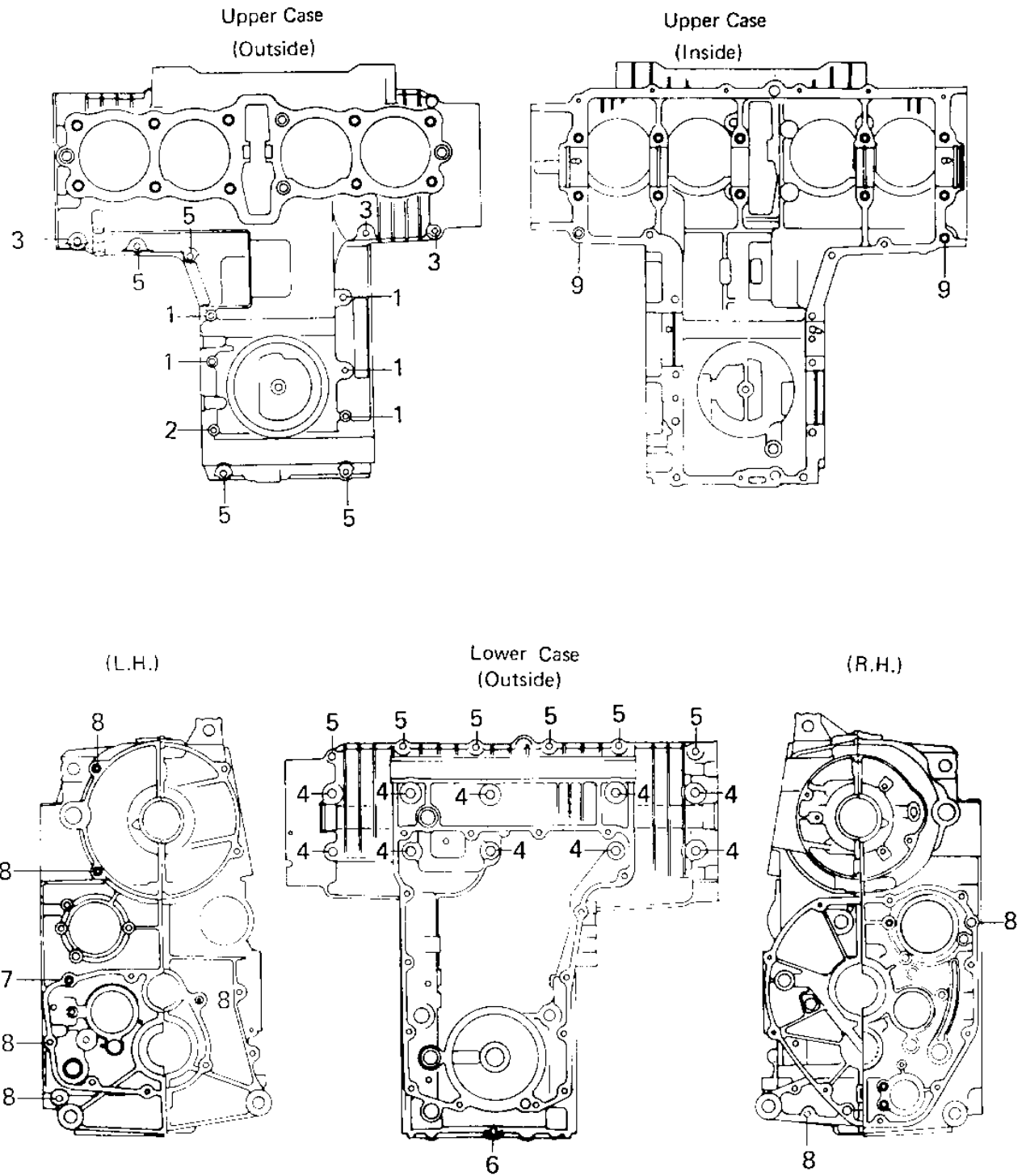


1980 LTD PARTS DIAGRAM

CRANKCASE BOLT & STUD PATTERN ('80 H1)



1980 LTD PARTS LIST

CRANKCASE BOLT & STUD PATTERN ('80 H1)

ITEM NAME	PART NUMBER	QUANTITY
BOLT,HEX HEAD,6X99 (Ref # 1)	92003-111	1
BOLT,HEX HEAD,6X116 (Ref # 2)	92003-113	1
BOLT-FLANGED,6X50 (Ref # 3)	130G0650	2
BOLT-FLANGED,8X95 (Ref # 4)	130P0895	1
BOLT,HEX HEAD,6X41 (Ref # 5)	92003-109	2
BOLT,6X105 (Ref # 6)	92003-194	1
PIN,DOWEL,6X14 (Ref # 7)	551A0614	1
PIN-DOWEL (Ref # 8)	92042-007	1
PIN,DOWEL,10X8.2X14 (Ref # 9)	92043-1037	1