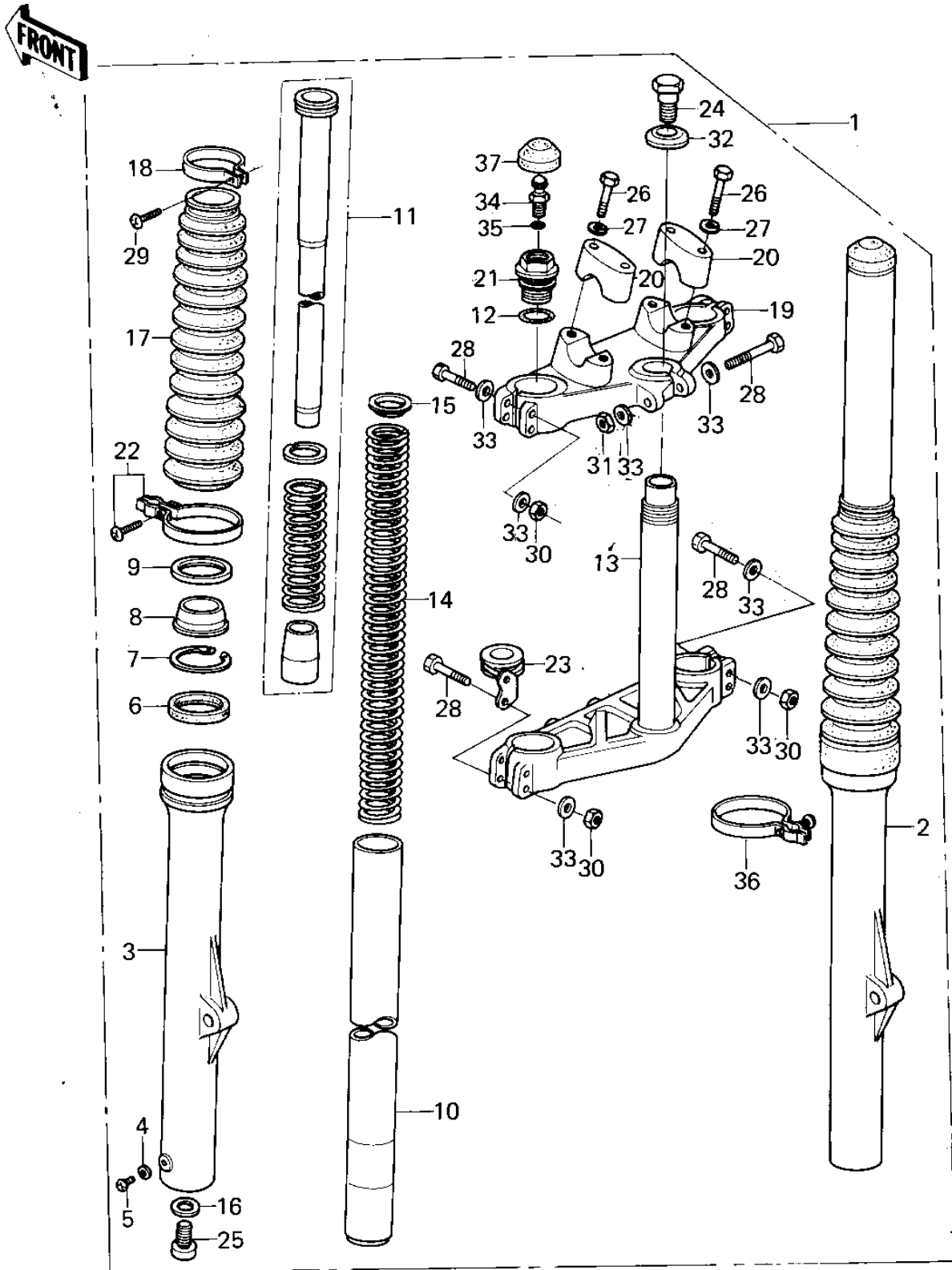


1980 KX125 PARTS DIAGRAM

FRONT FORK ('80 A6)



1980 KX125 PARTS LIST

FRONT FORK ('80 A6)

ITEM NAME	PART NUMBER	QUANTITY
FORK-FRONT (Ref # 1)	44001-1111	1
TUBE,RH,FORK OUTER (Ref # 2)	44006-1038	1
TUBE,LH,FORK OUTER (Ref # 3)	44005-1038	1
GASKET FORK DRAIN PLG (Ref # 4)	44045-002	1
SCREW PAN HEAD 4X8 (Ref # 5)	220B0408	1
OIL SEAL,FORK OUT TUB (Ref # 6)	92049-1042	1
SNAP RING,FORK OUTER (Ref # 7)	92033-1047	1
DUST SHIELD,FORK OUTR (Ref # 8)	92093-1035	1
CASE,DUST SHIELD (Ref # 9)	32099-1013	1
TUBE,FORK INNER (Ref # 10)	44013-1029	1
CYLINDER-FORK (Ref # 11)	44022-1033	1
"O" RING,FORK TOP CAP (Ref # 12)	92055-1050	1
STEM,STEERING (Ref # 13)	44037-1054	1
SPRING,FORK INNER (Ref # 14)	44026-1041	1
GUIDE,FORK SPRING (Ref # 15)	44028-1003	1
GASKET,FORK CYLINDER (Ref # 16)	11009-1127	1
BOOT,FORK,L.GREEN (Ref # 17)	49006-1027	1
BAND,BOOT (Ref # 18)	92072-1046	1
HEAD,STEERING STEM (Ref # 19)	44039-1031	1
HOLDER,HANDLE BAR (Ref # 20)	46012-1003	1
CAP,FORK TOP (Ref # 21)	44029-1008	1
CLAMP,BOOT,L.H (Ref # 22)	92072-1026	1
CLAMP, CABLE (Ref # 23)	92072-1027	1
BOLT,FORK TOP (Ref # 24)	44041-065	1
BOLT,FORK CYLINDER (Ref # 25)	92001-1309	1
BOLT,FLANGED,8X35 (Ref # 26)	92001-1577	1
WASHER SPRING 8MM (Ref # 27)	461F0800	1
BOLT FLANGED 8X55 (Ref # 28)	92001-1398	1
SCREW-PAN-CROS (Ref # 29)	220B0420	1

1980 KX125 PARTS LIST

FRONT FORK ('80 A6)

ITEM NAME	PART NUMBER	QUANTITY
NUT 8MM (Ref # 30)	311G0800	1
NUT,LOCK,8MM (Ref # 31)	92015-1124	1
WASHER (Ref # 32)	44043-052	1
WASHER PLAIN 8MM (Ref # 33)	410B0800	1
VALVE ASSY,AIR (Ref # 34)	16126-1003	1
"O" RING,AIR VALVE (Ref # 35)	92055-1018	1
CLAMP,BOOT,R.H (Ref # 36)	92072-1025	1
CAP,RUBBER,FORK TOP (Ref # 37)	44029-1009	1