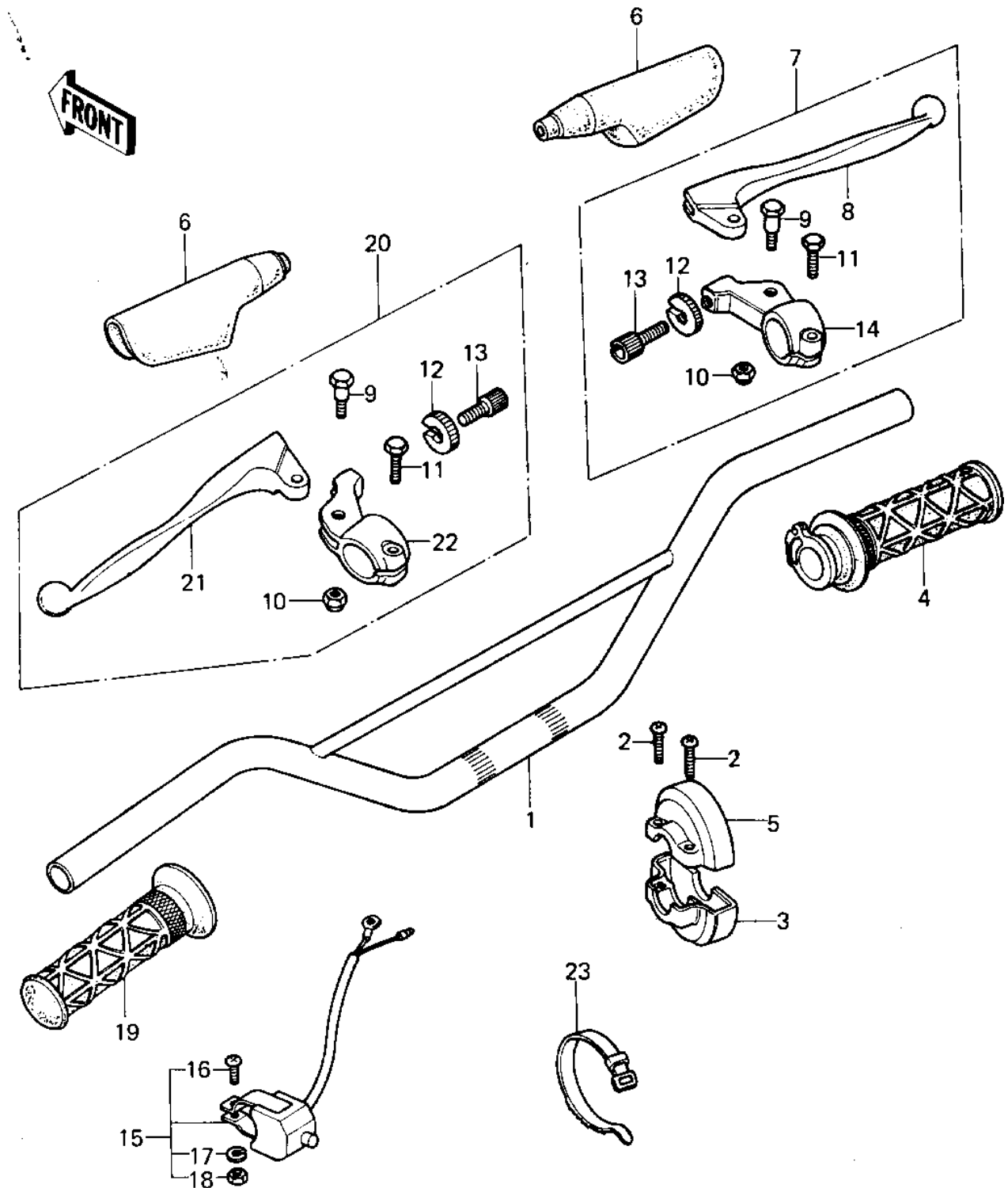


## 1980 KX125 PARTS DIAGRAM

HANDLEBAR ('80 AG)



## 1980 KX125 PARTS LIST

HANDLEBAR ('80 AG)

ITEM NAME	PART NUMBER	QUANTITY
HANDLEBAR (Ref # 1)	46003-1054	1
SCREW PAN HEAD 5X20 (Ref # 2)	220B0520	1
HOUSING CONTROL,R.H. (Ref # 3)	32099-1011	1
GRIP-ASSY (Ref # 4)	46019-1012	1
CASE,R.H,GRIP,UPPER (Ref # 5)	32099-1014	1
DUST COVER (Ref # 6)	46071-003	1
LEVER ASSY,FRONT BRAK (Ref # 7)	46076-1003	1
FRONT BRAKE LEVER (Ref # 8)	46058-018	1
BOLT,HEX HEAD,6MM (Ref # 9)	92001-140	1
NUT (Ref # 10)	92019-008	1
BOLT-UPSET (Ref # 11)	112N0620	1
NUT,CABLE ADJUST LOCK (Ref # 12)	46056-006	1
SCREW,CABLE ADJUST (Ref # 13)	46055-009	1
HOLDER,F.BRAKE LEVER (Ref # 14)	46060-010-21	1
SWITCH,ASSY,ENG STOP (Ref # 15)	27010-1018	1
SCREW PAN HEAD 3X14 (Ref # 16)	220E0314A	1
WASHER SPRING 3MM (Ref # 17)	461F0300	1
NUT-HEX (Ref # 18)	311B0300	1
GRIP (Ref # 19)	46075-1015	1
LEVER ASSY,CLUTCH (Ref # 20)	46076-1004	1
LEVER, CLUTCH (Ref # 21)	46092-021	1
HOLDER,CLUTCH LEVER (Ref # 22)	46094-014-21	1
BAND,SHORT (Ref # 23)	92072-030	1