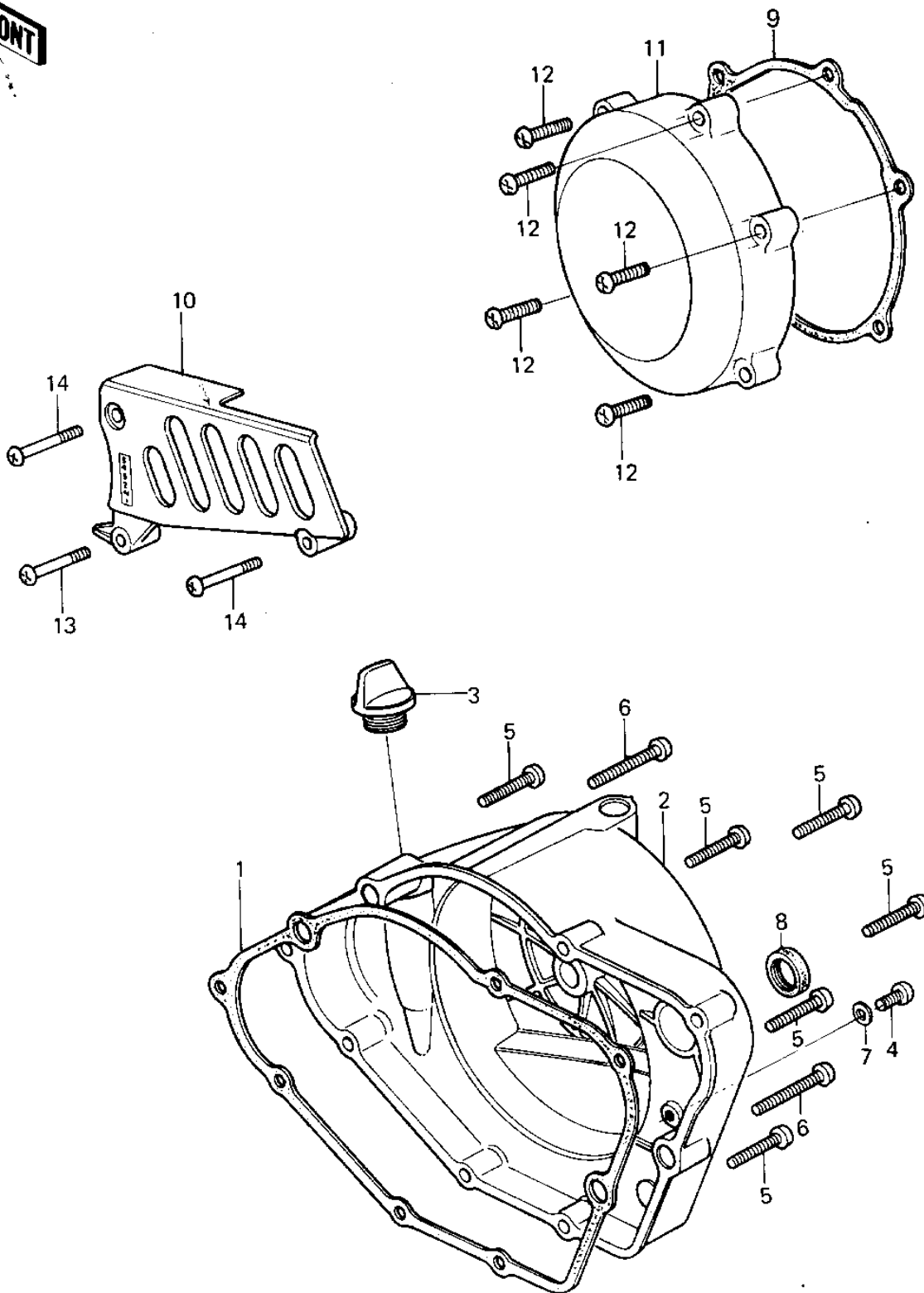


1980 KX125 PARTS DIAGRAM

ENGINE COVERS ('80 AG)



1980 KX125 PARTS LIST

ENGINE COVERS ('80 AG)

ITEM NAME	PART NUMBER	QUANTITY
GASKET,R.H ENGIN CVER (Ref # 1)	11009-1040	1
COVER,RH,ENGINE,F.BLK (Ref # 2)	14032-1034	1
FILLER,OIL (Ref # 3)	16115-018	1
SCREW PAN HEAD 6X8 (Ref # 4)	220B0608	1
SCREW PAN HEAD 6X28 (Ref # 5)	220B0628	1
SCREW PAN HEAD 6X40 (Ref # 6)	220B0640	2
WASHER OIL PUMP BANJO (Ref # 7)	92022-077	1
OIL SEAL SB16244 (Ref # 8)	92049-002	1
GASKET,LH,ENGINE COVR (Ref # 9)	11009-1177	1
COVER,FRONT CHAIN (Ref # 10)	14026-1012-21	1
COVER,LH.ENGINE,F.BLK (Ref # 11)	14031-1048	1
SCREW PAN HEAD 6X30 (Ref # 12)	220B0630	1
SCREW PAN HEAD 6X35 (Ref # 13)	220B0635	1