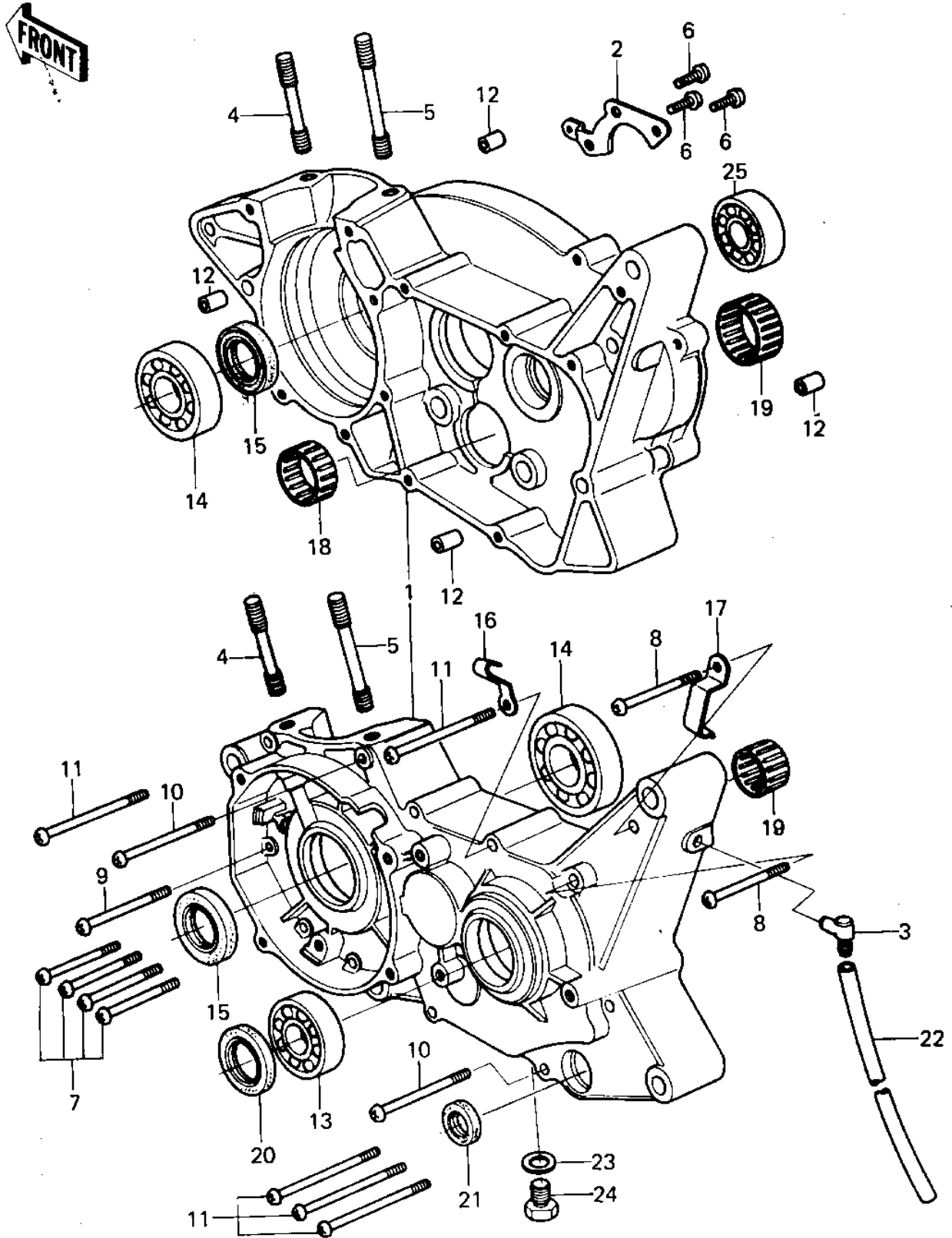


1980 KX125 PARTS DIAGRAM

CRANKCASE ('80 AG)



1980 KX125 PARTS LIST

CRANKCASE ('80 AG)

ITEM NAME	PART NUMBER	QUANTITY
CRANKCASE SET (Ref # 1)	14001-5047	1
PLATE,POSITIONING (Ref # 2)	14014-1003	1
BREATHER (Ref # 3)	14069-003	1
STUD,8X25 (Ref # 4)	92004-1008	1
STUD,8X55 (Ref # 5)	172G0855	1
SCREW PAN HEAD 6X16 (Ref # 6)	220B0616	1
SCREW PAN HEAD 6X45 (Ref # 7)	220B0645	1
SCREW PAN HEAD 6X50 (Ref # 8)	220B0650	1
SCREW PAN HEAD 6X55 (Ref # 9)	220B0655	1
SCREW PAN HEAD 6X60 (Ref # 10)	220B0660	1
SCREW PAN HEAD 6X70 (Ref # 11)	220B0670	1
PIN,DOWEL,10X8.2X14 (Ref # 12)	92043-1037	1
BEARING BALL #6204 (Ref # 13)	601B6204	1
BEARING BALL #6305 (Ref # 14)	601B6305	1
SEAL-OIL (Ref # 15)	92049-1250	1
CLAMP CABLE (Ref # 16)	92037-016	1
CLAMP (Ref # 17)	92037-1073	1
BEARING,NEEDLE (Ref # 18)	92046-043	1
BEARING-NEEDLE,HMK151 (Ref # 19)	92046-1058	1
OIL SEAL SC25376 (Ref # 20)	92050-013	1
OIL SEAL,TB13225.5 (Ref # 21)	92051-005	1
PIPE-BREATHER (Ref # 22)	92059-061	1
GASKET CHECK VALVE (Ref # 23)	92065-058	1
PLUG OIL DRAIN (Ref # 24)	92067-001	1
BEARING BALL #6303 (Ref # 25)	601B6303	1