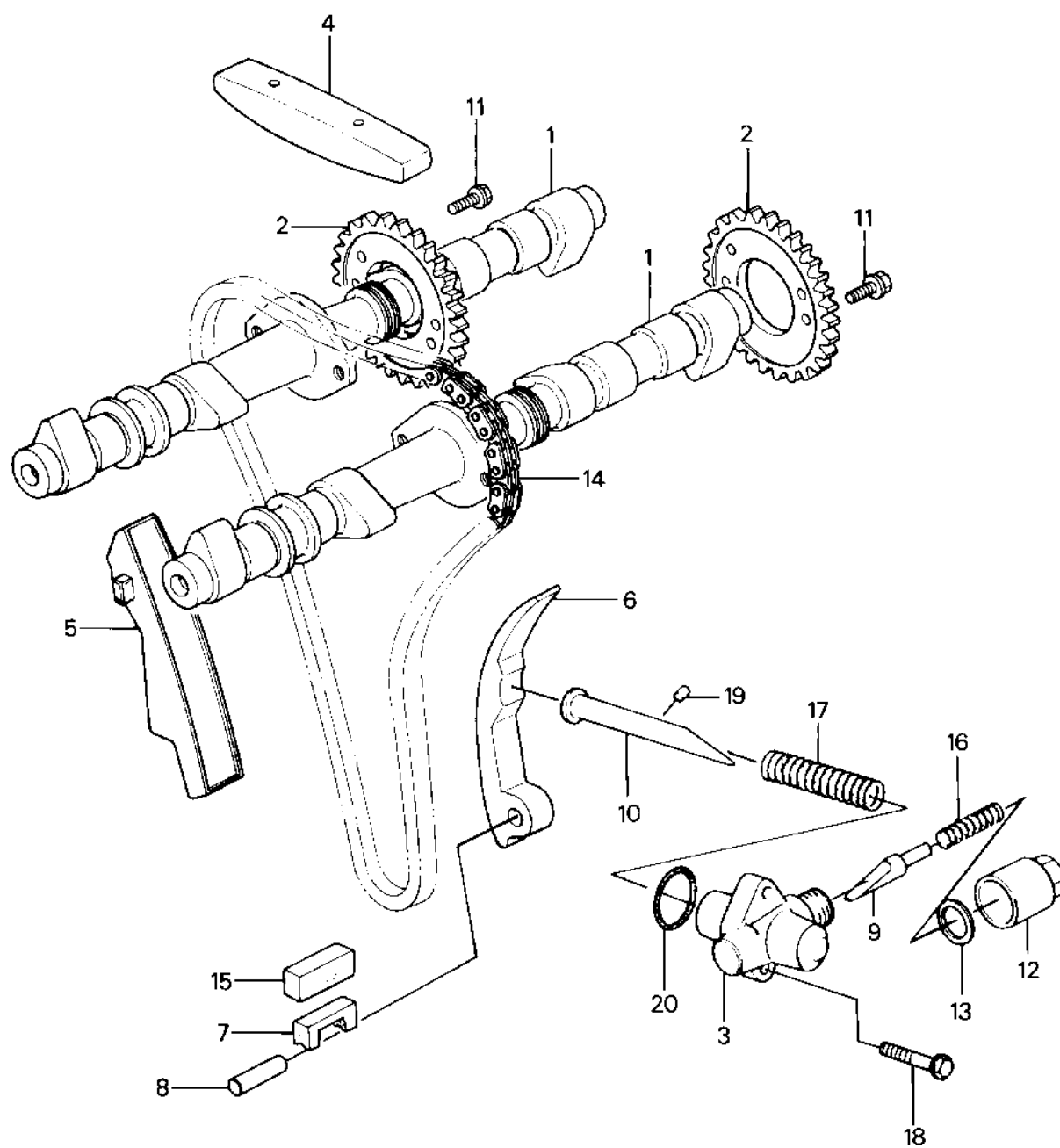


# 1985 Police 1000 PARTS DIAGRAM

CAMSHAFTS/CHAIN/TENSIONER



E1230-0005



# 1985 Police 1000 PARTS LIST

## CAMSHAFTS/CHAIN/TENSIONER

ITEM NAME	PART NUMBER	QUANTITY
CAMSHAFT-VALVE (Ref # 1)	12044-1027	
SPROCKET,CAMSHAFT EXH (Ref # 2)	12046-1025	
TENSIONER,CAM CHAIN (Ref # 3)	12049-1009	
GUIDE,CAM CHAIN,HEAD (Ref # 4)	12053-1018	
GUIDE-CHAIN,CAM,FR (Ref # 5)	12053-1048	
GUIDE-CHAIN,CAM,RR (Ref # 6)	12053-1049	
HOLDER,CAM CHAIN GUID (Ref # 7)	13091-1084	
SHAFT,8X28 (Ref # 8)	13107-1020	
ROD,PUSH,CAM CHAIN (Ref # 9)	13116-1012	
ROD-PUSH,TENSIONER (Ref # 10)	13116-1038	
BOLT,SPROCKET FITTING (Ref # 11)	92003-208	
CAP,TENSIONER,18M/M (Ref # 12)	92015-1100	
WASHER,18.3X24X1.4T (Ref # 13)	92022-1175	
CHAIN,CAMSHAFT,75-010 (Ref # 14)	92057-1052	
DAMPER (Ref # 15)	92075-1270	
SPRING,TENSIONER (Ref # 16)	92081-1302	
SPRING,TENSIONER (Ref # 17)	92081-1380	
BOLT,FLANGED,6X25 (Ref # 18)	130G0625	
BOLT-FLANGED (Ref # 18)	130Y0625	
PIN DOWEL 4X8 (Ref # 19)	610A0408	
"O" RING,22M/M (Ref # 20)	670E2022	