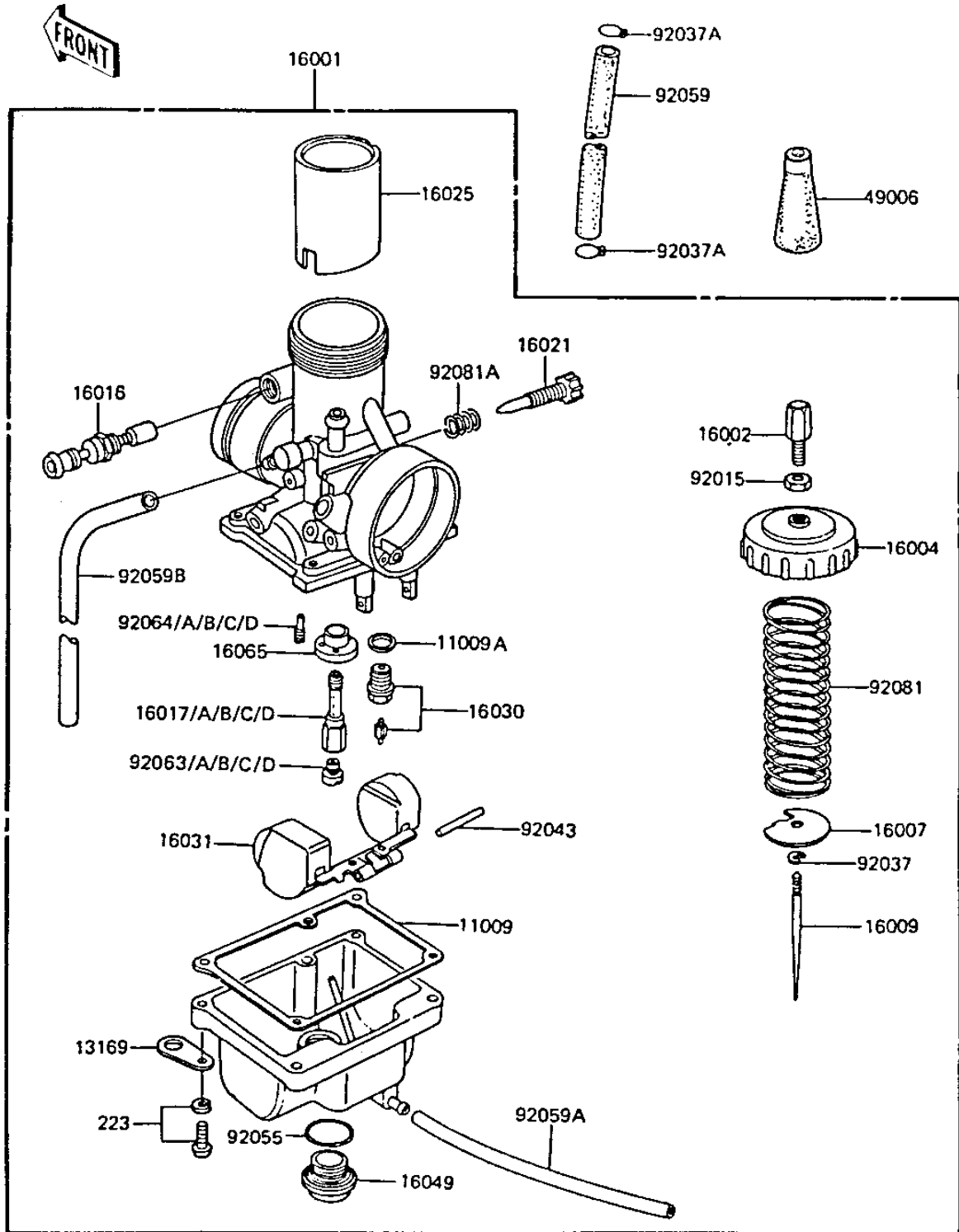


1984 KX60 PARTS DIAGRAM

CARBURETOR (KX60-A2)

E1611-0143



1984 KX60 PARTS LIST

CARBURETOR (KX60-A2)

ITEM NAME	PART NUMBER	QUANTITY
GASKET,FLOAT CHAMBER (Ref # 11009)	11009-1147	1
WASHER FLOAT VLV SEAT (Ref # 11009A)	16029-004	1
PLATE,TUBE CLAMP (Ref # 13169)	13169-1226	1
CARBURETOR (Ref # 16001)	16001-1925	1
ADJUSTER,CABLE (Ref # 16002)	16002-017	1
CAP,MIXING CHAMBER (Ref # 16004)	16004-025	1
SPRING SEAT,THRTL VL (Ref # 16007)	16007-023	1
NEEDLE-JET,5I14-3 (Ref # 16009)	16009-1220	1
PLUNGER (Ref # 16016)	16016-1052	1
JET-NEEDLE,N-8 (Ref # 16017)	16017-1215	1
JET-NEEDLE,0-0 (Ref # 16017A)	16017-1216	1
JET-NEEDLE,0-2 (Ref # 16017B)	16017-1217	1
JET-NEEDLE,0-4 (Ref # 16017C)	16017-1218	1
JET-NEEDLE,0-6 (Ref # 16017D)	16017-1219	1
SCREW-THROTTLE STOP (Ref # 16021)	16021-1108	1
VALVE-THROTTLE,C.A 2. (Ref # 16025)	16025-1107	1
FLOAT VALVE ASSY (Ref # 16030)	16030-005	1
FLOAT (Ref # 16031)	16031-1005	1
COVER,MAIN JET (Ref # 16049)	16049-1001	1
HOLDER,NEEDLE JET (Ref # 16065)	16065-1020	1
CAP,CARBURETOR (Ref # 49006)	16036-007	1
NUT-CABLE ADJUST LOCK (Ref # 92015)	16003-006	1
CIRCLIP (Ref # 92037)	16008-010	1
CLAMP-PIPE (Ref # 92037A)	92037-072	2
FLOAT PIN (Ref # 92043)	16032-003	1
"0" RING,MAIN JET COV (Ref # 92055)	92055-1061	1
TUBE,5.3X10.5X130 (Ref # 92059)	92059-1393	1
TUBE,3X5X160 (Ref # 92059A)	92059-1395	1
TUBE,3X5X270 (Ref # 92059B)	92059-1396	1

1984 KX60 PARTS LIST

CARBURETOR (KX60-A2)

ITEM NAME	PART NUMBER	QUANTITY
JET-MAIN NO 160A (Ref # 92063)	92063-017	1
JET-MAIN NO 170A (Ref # 92063A)	92063-019	1
JET-MAIN NO 180A (Ref # 92063B)	92063-020	1
JET-MAIN NO 190A (Ref # 92063C)	92063-021	1
JET-MAIN NO 200A (Ref # 92063D)	92063-022	1
PILOT JET,#35 (Ref # 92064)	92064-1023	1
PILOT JET,#30 (Ref # 92064A)	92064-1030	1
JET-PILOT,#25 (Ref # 92064B)	92064-1038	1
JET-PILOT,#40 (Ref # 92064C)	92064-1104	1
JET-PILOT,#45 (Ref # 92064D)	92064-1105	1
SPRING,THROTTLE VALV (Ref # 92081)	16006-023	1
SPRING THR STOP SCREW (Ref # 92081A)	16022-005	1
SCREW-PAN-WS-CROS (Ref # 223)	223B0416	4