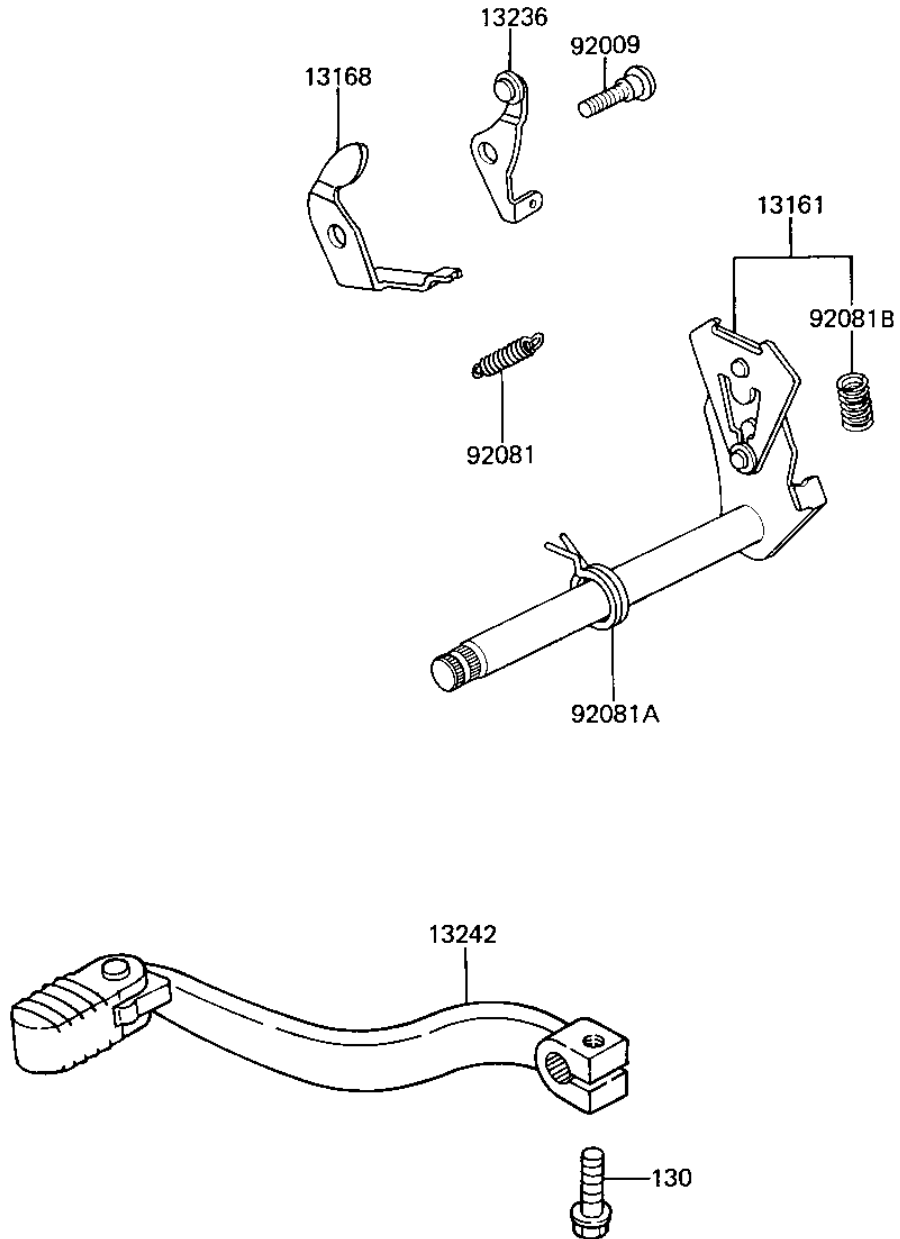


1984 KX60 PARTS DIAGRAM

GEAR CHANGE MECHANISM

E1370-0088



1984 KX60 PARTS LIST

GEAR CHANGE MECHANISM

ITEM NAME	PART NUMBER	QUANTITY
LEVER-COMP-CHANGE SHA (Ref # 13161)	13161-1108	1
LEVER,POSITIONING (Ref # 13168)	13168-1069	1
LEVER,POSITIONING (Ref # 13236)	13236-1026	1
LEVER-ASSY-CHANGE (Ref # 13242)	13242-1157	1
SCREW,CHANGE LEVER (Ref # 92009)	92009-1102	1
SPRING,CHANGE LEVER (Ref # 92081)	92081-1109	1
SPRING,TENTION (Ref # 92081A)	92081-1129	1
SPRING CHANGE LEVER (Ref # 92081B)	92081-1275	1
BOLT-FLANGED,6X20 (Ref # 130)	130P0620	1