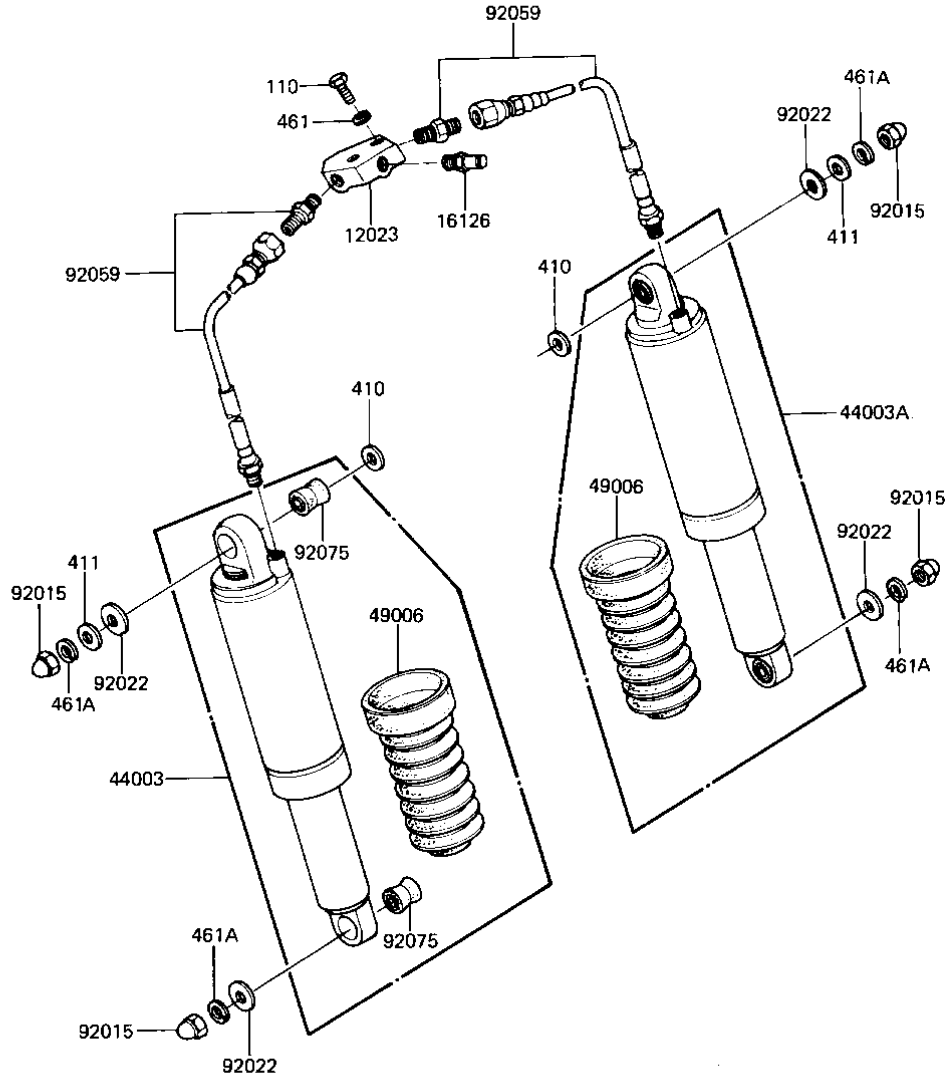


1983 Spectre PARTS DIAGRAM

SHOCK ABSORBERS



F2150-0014



1983 Spectre PARTS LIST

SHOCK ABSORBERS

ITEM NAME	PART NUMBER	QUANTITY
HOLDER-VALVE,AIR (Ref # 12023)	12023-1018	1
VALVE,AIR (Ref # 16126)	16126-1043	1
DAMPER-ASSY,RR,LH (Ref # 44003)	44003-1241	1
DAMPER-ASSY,RR,RH (Ref # 44003A)	44003-1242	1
BOOT,SHOCKABSORBER (Ref # 49006)	49006-1078	2
NUT,CAP,10MM,BLACK (Ref # 92015)	92015-1203	4
WASHER,10.5X30X2.3,B (Ref # 92022)	92022-1302	4
TUBE,SHOCKABSORBER (Ref # 92059)	92059-1210	2
DAMPER,SHOCKABSORBER (Ref # 92075)	92075-1387	4
BOLT-UPSET 6X14 (Ref # 110)	112B0614	2
WASHER PLAIN 14MM (Ref # 410)	410B1400	2
WASHER (Ref # 411)	411F1000	2
WASHER SPRING 6MM (Ref # 461)	461F0600	2
WASHER-SPRING,10MM (Ref # 461A)	461K1000	4