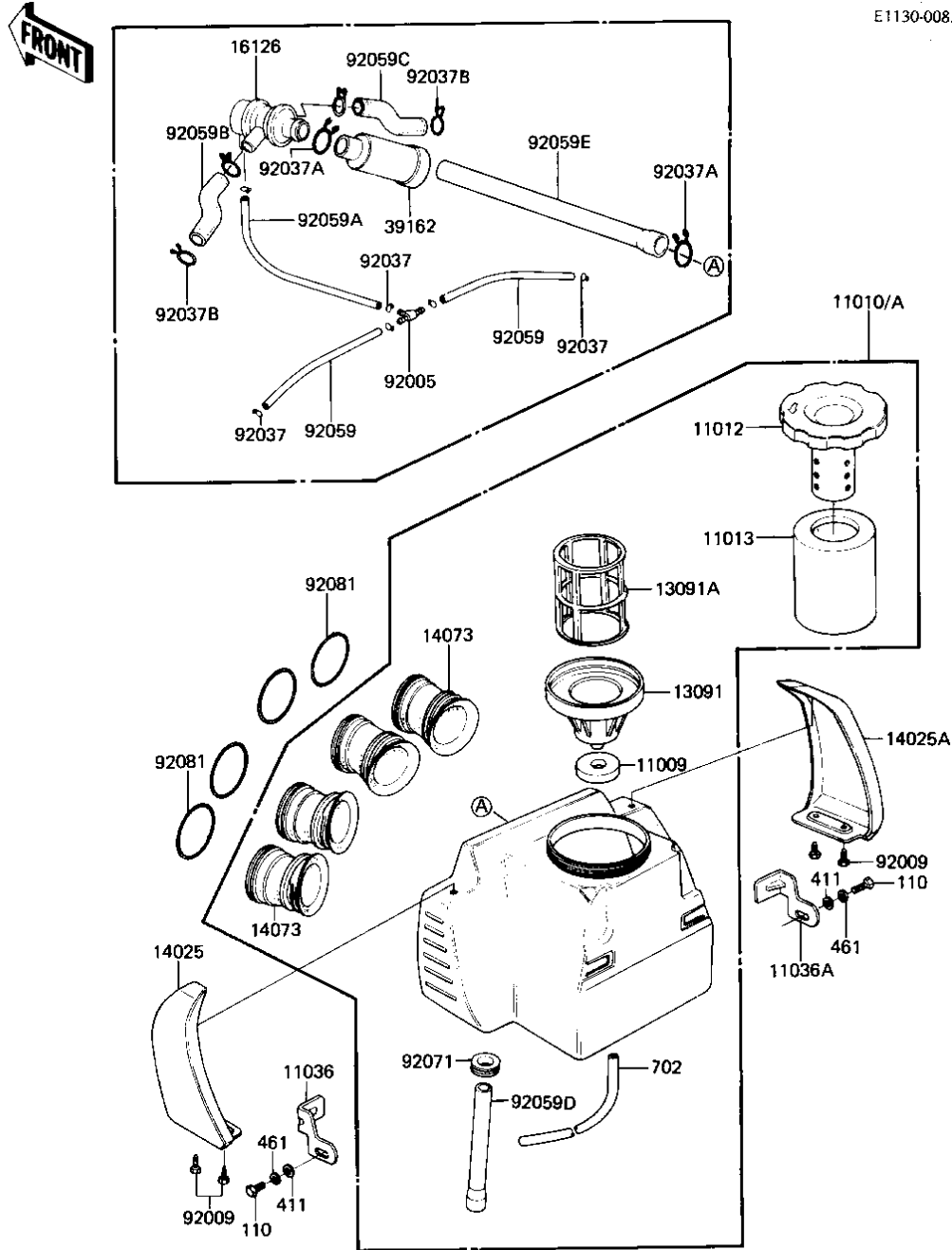


1983 Spectre PARTS DIAGRAM

AIR CLEANER

E1130-0083



1983 Spectre PARTS LIST

AIR CLEANER

| ITEM NAME | PART NUMBER | QUANTITY |
|---|-------------|----------|
| GASKET,HOLDER (Ref # 11009) | 11039-003 | 1 |
| FILTER-ASSY-AIR (Ref # 11010) | 11010-1128 | 1 |
| FILTER-ASSY-AIR (Canada) (Ref # 11010A) | 11010-1129 | 1 |
| CAP,AIR CLEANER (Ref # 11012) | 11012-069 | 1 |
| ELEMENT,AIR CLNR (Ref # 11013) | 11013-1060 | 1 |
| BRACKET-A,AIR FILTER (Ref # 11036) | 11036-1357 | 1 |
| BRACKET-A,AIR FILTER (Ref # 11036A) | 11036-1401 | 1 |
| HOLDER,INLET PIPE (Ref # 13091) | 11033-006 | 1 |
| HOLDER,ELEMENT (Ref # 13091A) | 13091-1147 | 1 |
| COVER,AIR FILTER,LH (Ref # 14025) | 14025-1428 | 1 |
| COVER,AIR FILTER,RH (Ref # 14025A) | 14025-1429 | 1 |
| INLET DUCT (Ref # 14073) | 14073-1032 | 4 |
| VALVE ASSY,AIR SWITC (Ref # 16126) | 16126-1005 | 1 |
| SILENCER (Ref # 39162) | 39162-1003 | 1 |
| FITTING,TUBE (Ref # 92005) | 92005-1017 | 1 |
| SCREW,TAPPING,5X12 (Ref # 92009) | 92009-1144 | 4 |
| CLAMP-PIPE (Ref # 92037) | 92037-072 | 6 |
| CLAMP (Ref # 92037A) | 92037-1076 | 2 |
| CLAMP,BREATHER TUBE (Ref # 92037B) | 92037-213 | 4 |
| TUBE,VACUUM,LONG (Ref # 92059) | 92059-1162 | 2 |
| TUBE,4X9X290 (Ref # 92059A) | 92059-1043 | 1 |
| TUBE (Ref # 92059B) | 92059-1065 | 1 |
| TUBE (Ref # 92059C) | 92059-1066 | 1 |
| TUBE,11X26X135 (Ref # 92059D) | 92059-1137 | 1 |
| TUBE,14X20X290 (Ref # 92059E) | 92059-1138 | 1 |
| GROMMET (Ref # 92071) | 92071-1027 | 1 |
| SPRING,COIL,BLACK (Ref # 92081) | 92081-1457 | 4 |
| BOLT-UPSET,6X12 (Ref # 110) | 112G0612 | 2 |
| WASHER PLAIN 6MM (Ref # 411) | 411B0600 | 2 |

1983 Spectre PARTS LIST

AIR CLEANER

| ITEM NAME | PART NUMBER | QUANTITY |
|-------------------------------|-------------|----------|
| WASHER SPRING 6MM (Ref # 461) | 461F0600 | 2 |
| TUBE-RUBBER,6X200 (Ref # 702) | 702A06200 | 1 |