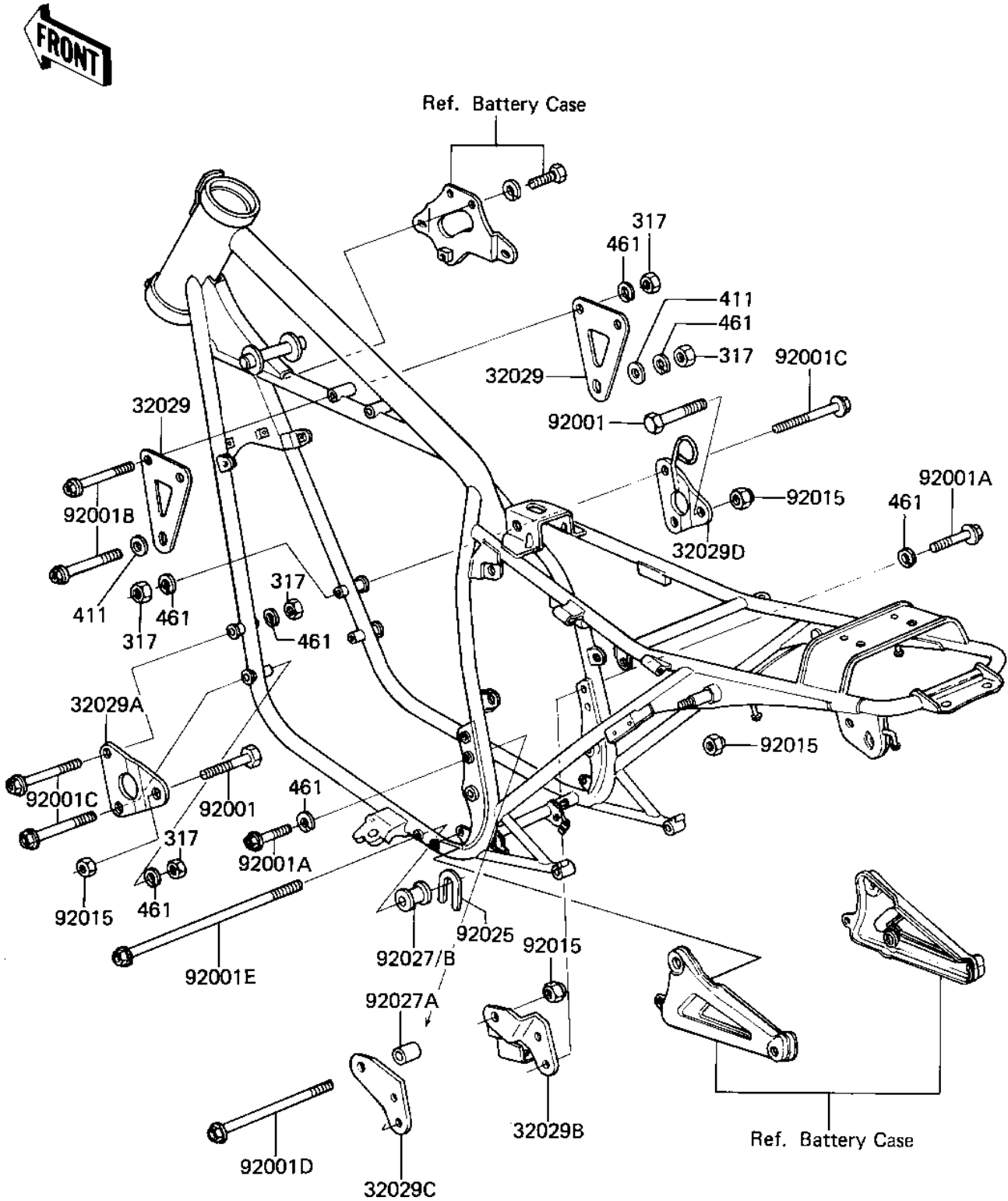


1982 KZ440-G1 PARTS DIAGRAM

FRAME FITTINGS

F2131-0081



1982 KZ440-G1 PARTS LIST

FRAME FITTINGS

ITEM NAME	PART NUMBER	QUANTITY
BRACKET,ENGINE,HEAD (Ref # 32029)	32029-1097	2
BRACKET,ENGINE,FRONT (Ref # 32029A)	32029-1098	1
BRACKET,ENG,REAR,R.H. (Ref # 32029B)	32029-1099	1
BRACKET-ENGINE,RR,LH (Ref # 32029C)	32029-1165	1
BRACKET-ENGINE,FR (Ref # 32029D)	32029-1172	1
BOLT,HEX HEAD,10X50 (Ref # 92001)	92001-1254	2
BOLT,FLANGED,8X35 (Ref # 92001A)	92001-1577	4
BOLT-FLANGE (Ref # 92001B)	92001-1582	3
BOLT-FLANGE (Ref # 92001C)	92001-1582	4
BOLT FLANGED 10X220 (Ref # 92001D)	92002-1197	1
BOLT,FLANGED,10X325 (Ref # 92001E)	92001-1654	1
NUT,10MM (Ref # 92015)	92015-1429	4
SHIM-ENG FIT FR,0.5MM (Ref # 92025)	92025-053	AR
COLLAR,ENG MOUNTING (Ref # 92027)	92027-160	1
COLLAR,ENG MOUNT UPPE (Ref # 92027A)	92027-228	1
COLLAR (Ref # 92027B)	92027-250	1
NUT,8M/M (Ref # 317)	317B0800	7
WASHER PLAIN 8MM (Ref # 411)	411B0800	2
WASHER SPRING 8MM (Ref # 461)	461F0800	11