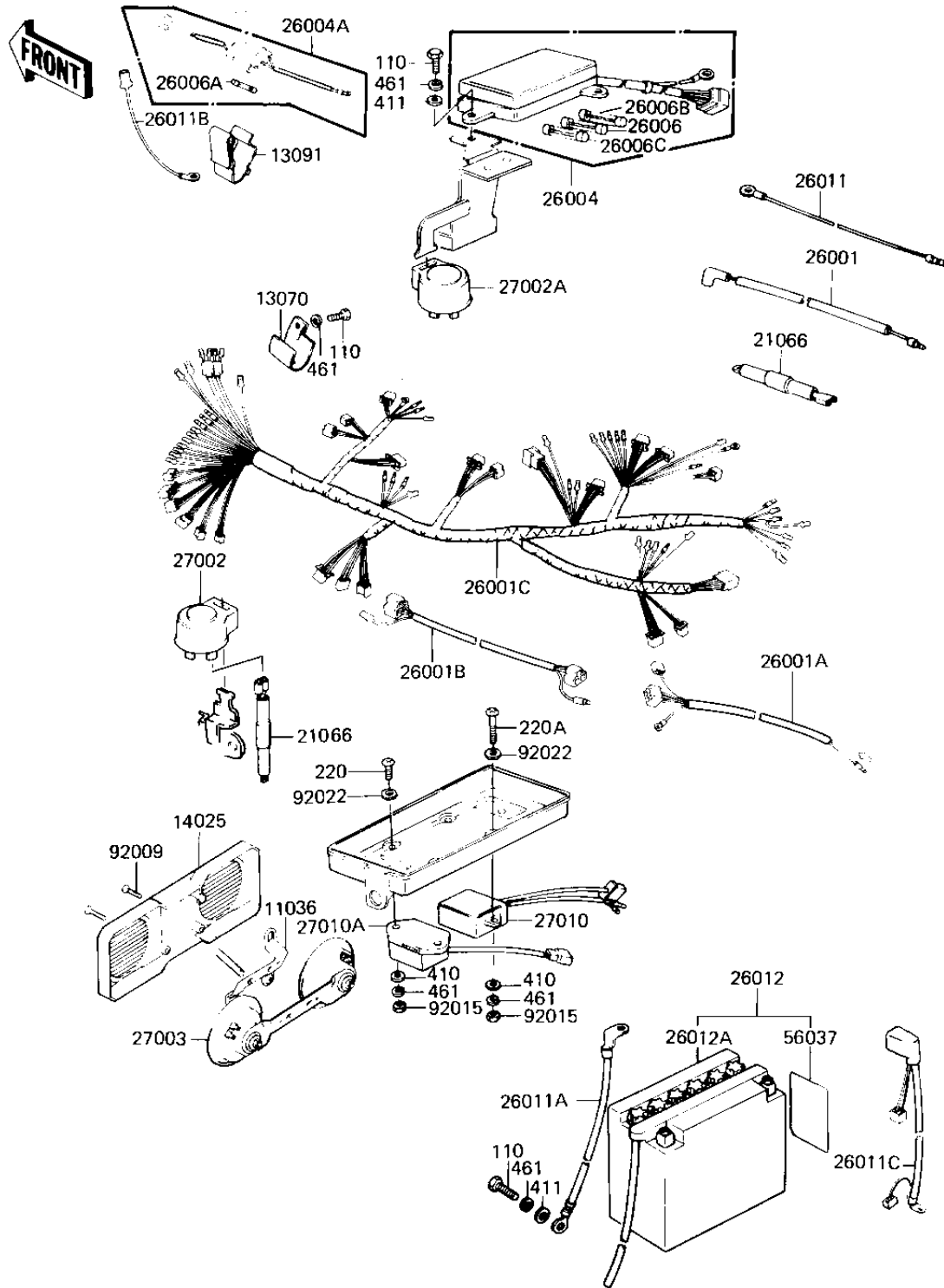


1982 KZ1300-A4 PARTS DIAGRAM

CHASSIS ELECTRICAL EQUIPMENT

F2760-0152



1982 KZ1300-A4 PARTS LIST

CHASSIS ELECTRICAL EQUIPMENT

ITEM NAME	PART NUMBER	QUANTITY
BRACKET,HORN COVER (Ref # 11036)	11036-1028	1
GUIDE,MAIN HARNESS (Ref # 13070)	13070-1022	1
HOLDER,ACCESSORY FUSE (Ref # 13091)	13091-1102	1
COVER,HORN (Ref # 14025)	14025-1310	1
REGULATOR (Ref # 21066)	21066-026	2
WIRING HARNESS,SUB (Ref # 26001)	26001-1064	1
HARNESS,REGULATOR (Ref # 26001A)	26001-1374	1
HARNESS,WARNER (Ref # 26001B)	26001-1375	1
HARNESS,MAIN (Ref # 26001C)	26001-1379	1
FUSE ASSY (Ref # 26004)	26004-1009	1
FUSE-ASSY (Ref # 26004A)	26004-1018	1
FUSE 10A (Ref # 26006)	26006-003	4
FUSE,10A,L=30M/M (Ref # 26006A)	26006-1002	3
FUSE,2A,L=25M/M (Ref # 26006B)	26006-1004	2
FUSE,30A,L=25M/M (Ref # 26006C)	26006-1005	2
WIRE,LEAD (Ref # 26011)	26011-095	4
WIRE,BATTERY GROUND (Ref # 26011A)	26011-1038	1
WIRE-LEAD,ACCESSORY G (Ref # 26011B)	26011-1100	1
WIRE-LEAD,BATTERY (Ref # 26011C)	26011-1160	1
YUA BAT Y50-N18L-A2 (Ref # 26012)	26012-1012	1
26012-1012 (Canada) (Ref # 26012A)	26012-1019	1
RELAY-TURN SIGNAL (Ref # 27002)	27002-011	1
RELAY,TURN SIGNAL (Ref # 27002A)	27002-016	1
HORN (Ref # 27003)	27003-1037	1
SWITCH,TURN SIGNAL OP (Ref # 27010)	27010-1016	1
SWITCH,RESERVE LIGHTI (Ref # 27010A)	27010-1024	1
LABEL-WARNING,BATTERY (Ref # 56037)	56040-1036	1
SCREW-CSK (Ref # 92009)	221C0430	2
NUT,LOCK 6MM (Ref # 92015)	92017-014	4

1982 KZ1300-A4 PARTS LIST

CHASSIS ELECTRICAL EQUIPMENT

ITEM NAME	PART NUMBER	QUANTITY
WASHER PLAIN (Ref # 92022)	92022-024	4
BOLT-UPSET,6X12 (Ref # 110)	112G0612	3
SCREW PAN HEAD 6X20 (Ref # 220)	220B0620	2
SCREW PAN HEAD 6X35 (Ref # 220A)	220B0635	2
WASHER PLAIN 6MM (Ref # 410)	410B0600	4
WASHER PLAIN 6MM (Ref # 411)	411B0600	2
WASHER SPRING 6MM (Ref # 461)	461F0600	3