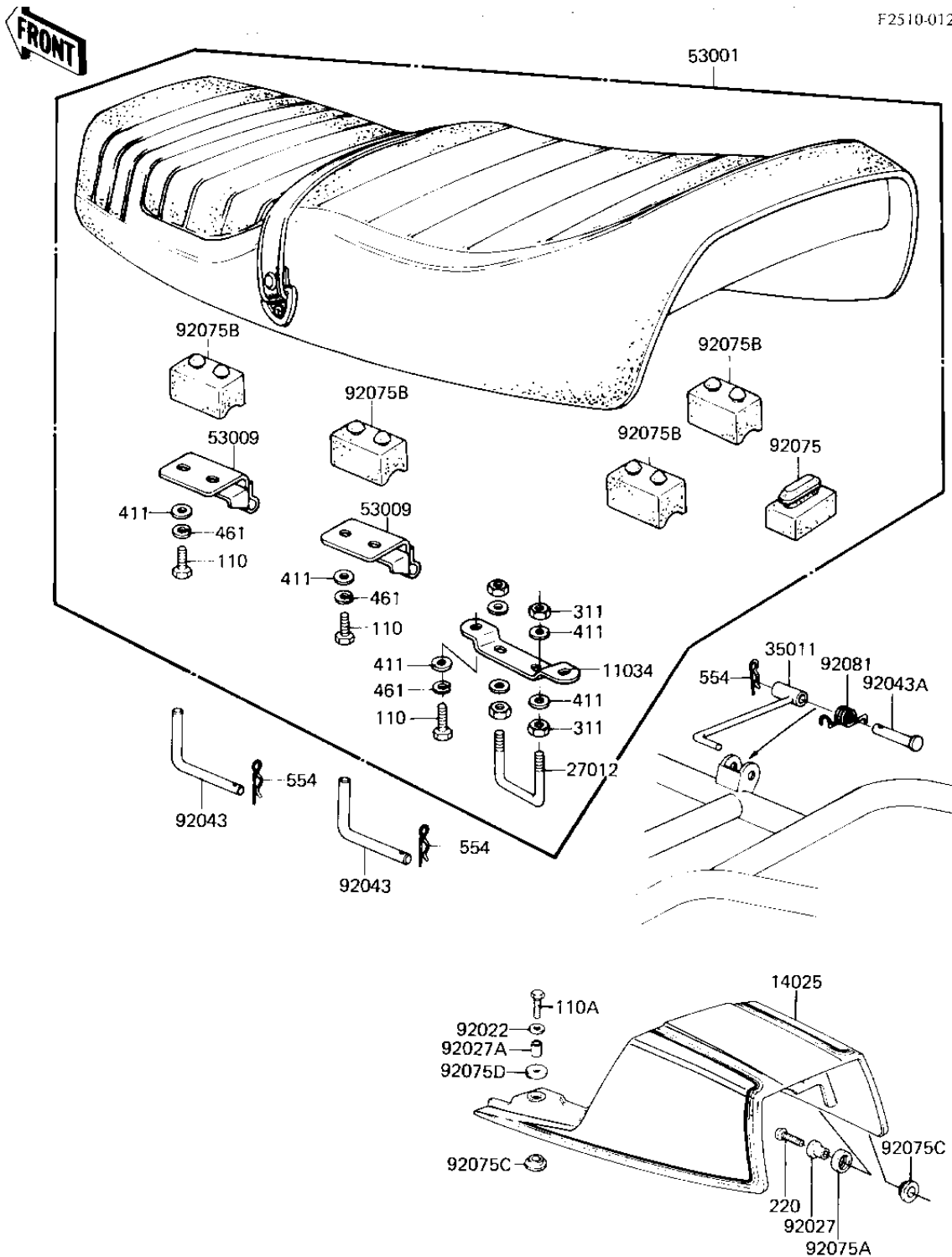


1982 KZ1300-A4 PARTS DIAGRAM

SEAT/SEAT COVER

F2510-0122



1982 KZ1300-A4 PARTS LIST

SEAT/SEAT COVER

ITEM NAME	PART NUMBER	QUANTITY
BRACKET, SEAT CATCH (Ref # 11034)	53058-001	1
COVER,SEAT,EBONY (Ref # 14025)	14025-5049-8G	1
CATCH, SEAT (Ref # 27012)	53056-002	1
STAY,SEAT STAND (Ref # 35011)	35011-1018	1
DESC-SEAT-ASSY,DUAL (Ref # 53001)	53001-1358	1
HINGE,SEAT (Ref # 53009)	53009-1011	2
WASHER,PLAIN,7MM (Ref # 92022)	92022-228	2
COLLAR,SEAT COVER (Ref # 92027)	92027-1122	2
COLLAR,REAR FENDER (Ref # 92027A)	92027-162	2
PIN,SEAT PIVOT (Ref # 92043)	92043-1021	2
PIN,SEAT STAND (Ref # 92043A)	92043-1045	1
DAMPER RUBBER (Ref # 92075)	92075-099	1
DAMPER,SEAT COVER FIT (Ref # 92075A)	92075-1097	2
DAMPER RUBBER,SEAT (Ref # 92075B)	92075-139	4
RUBBER,FENDER COVER (Ref # 92075C)	92075-174	4
DAMPER RUBBER (Ref # 92075D)	92075-175	2
SPRING,SEAT STAND (Ref # 92081)	92081-1100	1
BOLT HEX HD 6X14 (Ref # 110)	110B0614	6
BOLT HEX HD 6X22 (Ref # 110A)	110B0622	2
SCREW PAN HEAD 6X25 (Ref # 220)	220B0625	2
NUT 6MM (Ref # 311)	311B0600	4
WASHER PLAIN 6MM (Ref # 411)	411B0600	10
WASHER SPRING 6MM (Ref # 461)	461F0600	6
PIN,SNAP (Ref # 554)	554A0600	3