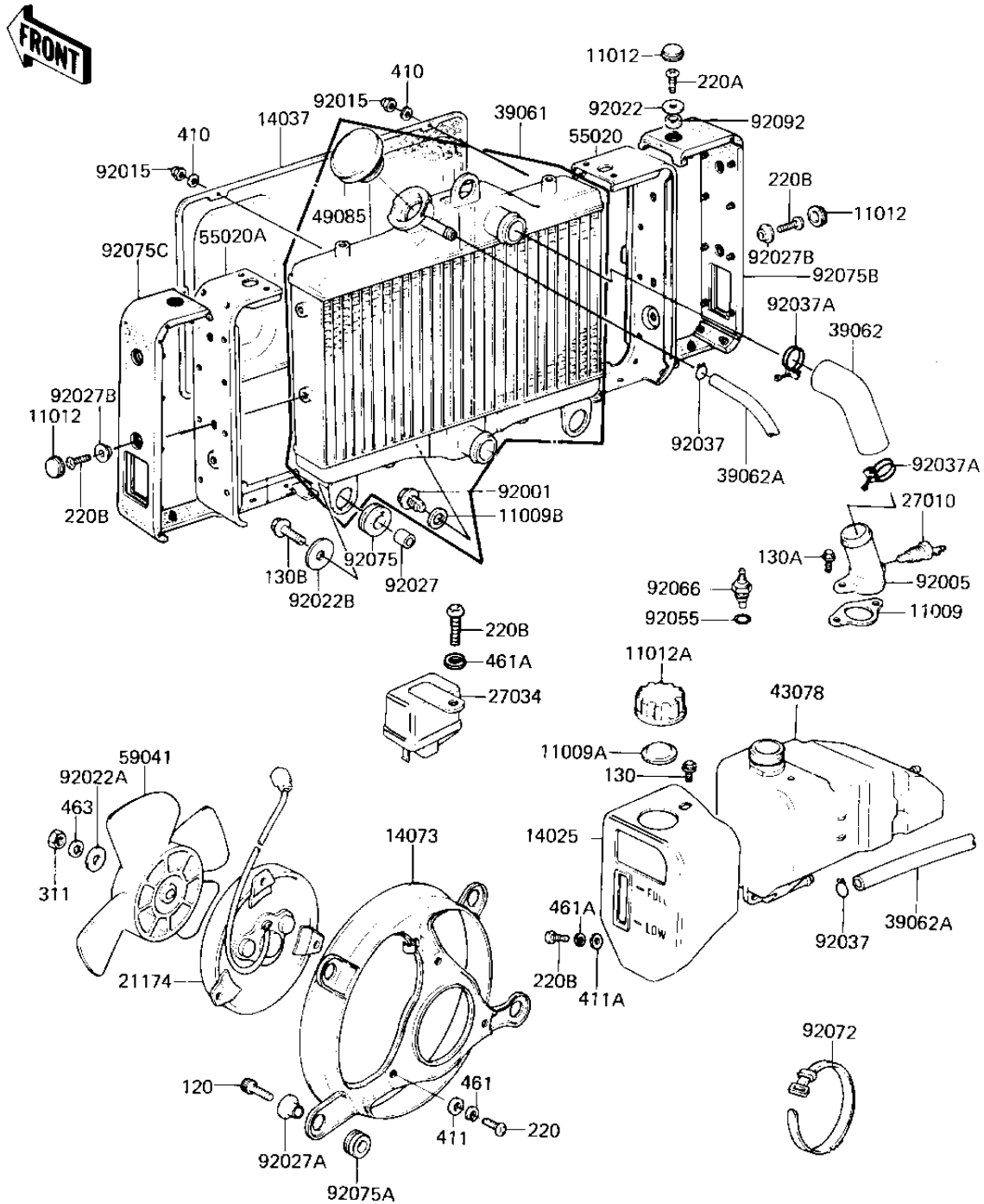


# 1982 KZ1300-A4 PARTS DIAGRAM

## RADIATOR/FAN/COOLANT TANK

E3032-0003



# 1982 KZ1300-A4 PARTS LIST

## RADIATOR/FAN/COOLANT TANK

ITEM NAME	PART NUMBER	QUANTITY
GASKET,HOSE FITTING (Ref # 11009)	11009-1100	1
GASKET,RESERVE TANK (Ref # 11009A)	11009-1145	1
GASKET,DRAIN PLUG (Ref # 11009B)	11009-1152	1
CAP,RADIATOR GUARD (Ref # 11012)	11012-1077	6
CAP,RESERVE TANK (Ref # 11012A)	11012-1084	1
COVER,RESERVE TANK (Ref # 14025)	14025-1152	1
SCREEN,RADIATOR (Ref # 14037)	14037-1001	1
SHROUD,FAN (Ref # 14073)	14073-1014	1
MOTOR,FAN (Ref # 21174)	21174-1001	1
SWITCH,FAN (Ref # 27010)	27010-1036	1
RELAY,FAN (Ref # 27034)	27034-1002	1
RADIATOR-ASSY (Ref # 39061)	39061-1053	1
HOSE,COOLING,RADIATOR (Ref # 39062)	39062-1002	1
HOSE,COOLNG,7X12X1500 (Ref # 39062A)	39062-1003	1
TANK,RESERVE (Ref # 43078)	43078-1007	1
CAP-ASSY-PRESSURE (Ref # 49085)	49085-1051	1
GUARD,RADIATOR,R.H (Ref # 55020)	55020-1036	1
GUARD,RADIATOR,L.H (Ref # 55020A)	55020-1037	1
FAN,COOLING (Ref # 59041)	59041-1001	1
BOLT,RADIATOR DRAIN (Ref # 92001)	92002-1682	1
FITTING,UPPER HOSE (Ref # 92005)	92005-1012	1
NUT-CAP,6MM,BLACK (Ref # 92015)	322C0600	6
WASHER SHOCK DAMPER (Ref # 92022)	42046-008	2
WASHER,FAN (Ref # 92022A)	92022-1089	1
WASHER,PLAIN (Ref # 92022B)	92022-298	3
COLLAR,12.7X15.9X12.5 (Ref # 92027)	92027-1141	3
COLLAR,FAN (Ref # 92027A)	92027-1188	4
COLLAR,RADIATOR GUARD (Ref # 92027B)	92027-1189	6
CLAMP-HOSE (Ref # 92037)	92037-1104	2

# 1982 KZ1300-A4 PARTS LIST

## RADIATOR/FAN/COOLANT TANK

ITEM NAME	PART NUMBER	QUANTITY
CLAMP,HOSE (Ref # 92037A)	92037-1177	2
"O" RING,13.5MM (Ref # 92055)	92055-073	1
SENDER,WATER TEMPRATR (Ref # 92066)	92066-1028	1
BAND,WIRING HARNESS (Ref # 92072)	92072-056	1
DAMPER,RADIATOR (Ref # 92075)	92075-1127	3
DAMPER,FAN (Ref # 92075A)	92075-1167	4
DAMPER,RADIATOR,R.H (Ref # 92075B)	92075-1210	1
DAMPER,RADIATOR,L.H (Ref # 92075C)	92075-1211	1
BUSHING,RBR,14X22X8.5 (Ref # 92092)	92092-1005	2
BOLT,6X20 (Ref # 120)	120P0620	4
BOLT,FLANGED,6X10 (Ref # 130)	130B0610	1
UNAVAILABLE IN PRICE BOOK (Ref # 130A)	130B625	2
BOLT,FLANGED,8X25 (Ref # 130B)	130B0825	3
SCREW PAN HEAD 5X10 (Ref # 220)	220B0510	3
SCREW PAN HEAD 6X10 (Ref # 220A)	220B0610	2
SCREW PAN HEAD 6X16 (Ref # 220B)	220B0616	8
NUT,5MM (Ref # 311)	311B0500	1
WASHER PLAIN 6MM (Ref # 410)	410B0600	6
WASHER PLAIN 5MM (Ref # 411)	411B0500	3
WASHER PLAIN 6MM (Ref # 411A)	411B0600	1
WASHER SPRING 5MM (Ref # 461)	461F0500	3
WASHER SPRING 6MM (Ref # 461A)	461F0600	2
WASHER LOCK 5MM (Ref # 463)	463H0500	1