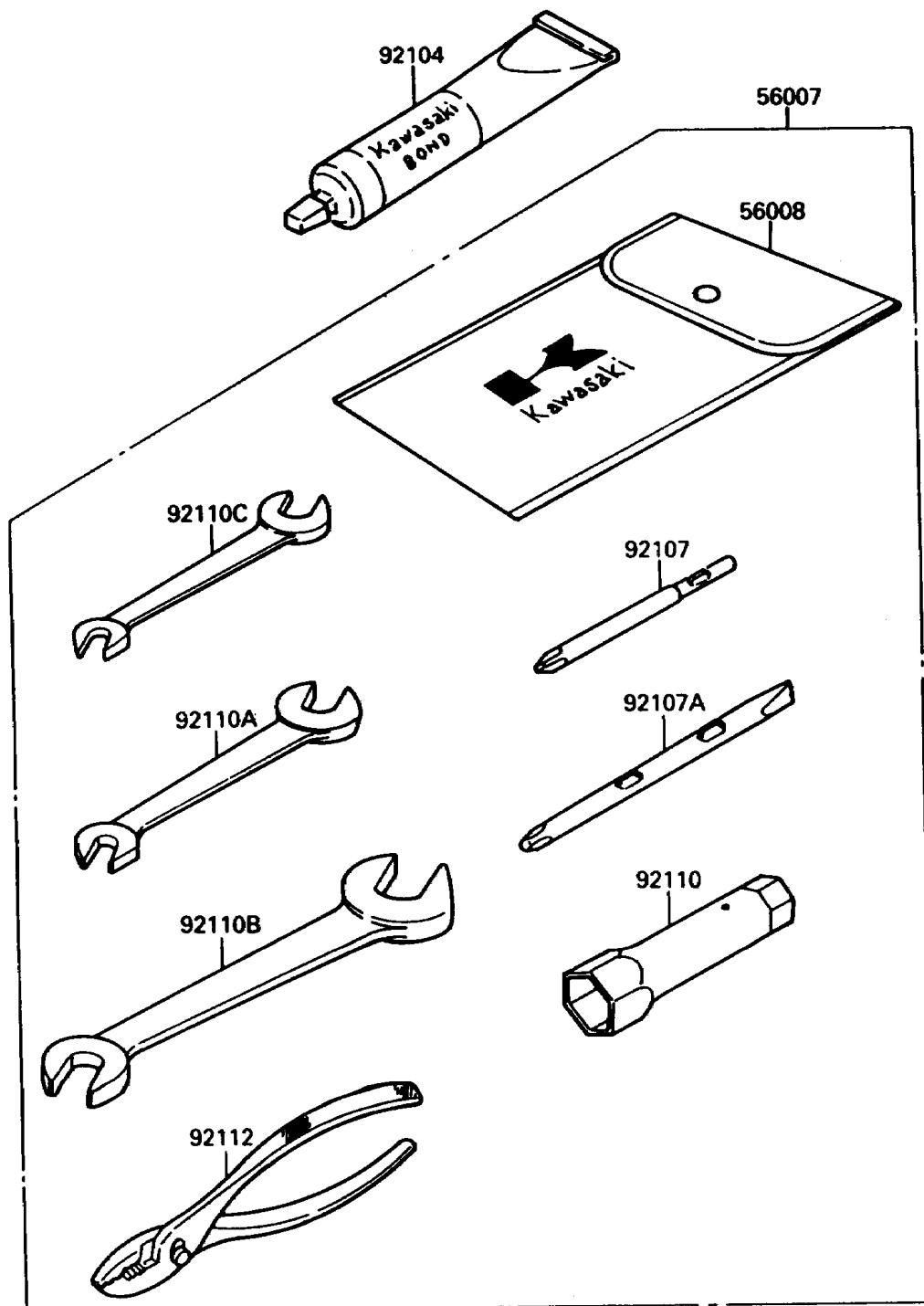


1990 TS PARTS DIAGRAM

Owner's Tools

F3182



1990 TS PARTS LIST

Owner's Tools

| ITEM NAME | PART NUMBER | QUANTITY |
|--|-------------|----------|
| TOOLKIT (Ref # 56007) | 56007-3707 | 1 |
| BAG,TOOL (Ref # 56008) | 56008-1007 | 1 |
| GASKET-LIQUID,TUBE,100G,SILVER (Ref # 92104) | 92104-002 | 1 |
| TOOL-DRIVER,#3PHILLIPS (Ref # 92107) | 92107-005 | 1 |
| TOOL-DRIVER,#2PHILLIPS&SLOT (Ref # 92107A) | 92107-1051 | 1 |
| TOOL-WRENCH,BOX,21MM (Ref # 92110) | 92110-1113 | 1 |
| TOOL-WRENCH,OPEN END,10X12 (Ref # 92110A) | 92110-1152 | 1 |
| TOOL-WRENCH,OPEN END,14X17 (Ref # 92110B) | 92110-1153 | 1 |
| TOOL-WRENCH,OPEN END,8X10 (Ref # 92110C) | 92126-001 | 1 |
| TOOL-PLIERS (Ref # 92112) | 92112-003 | 1 |