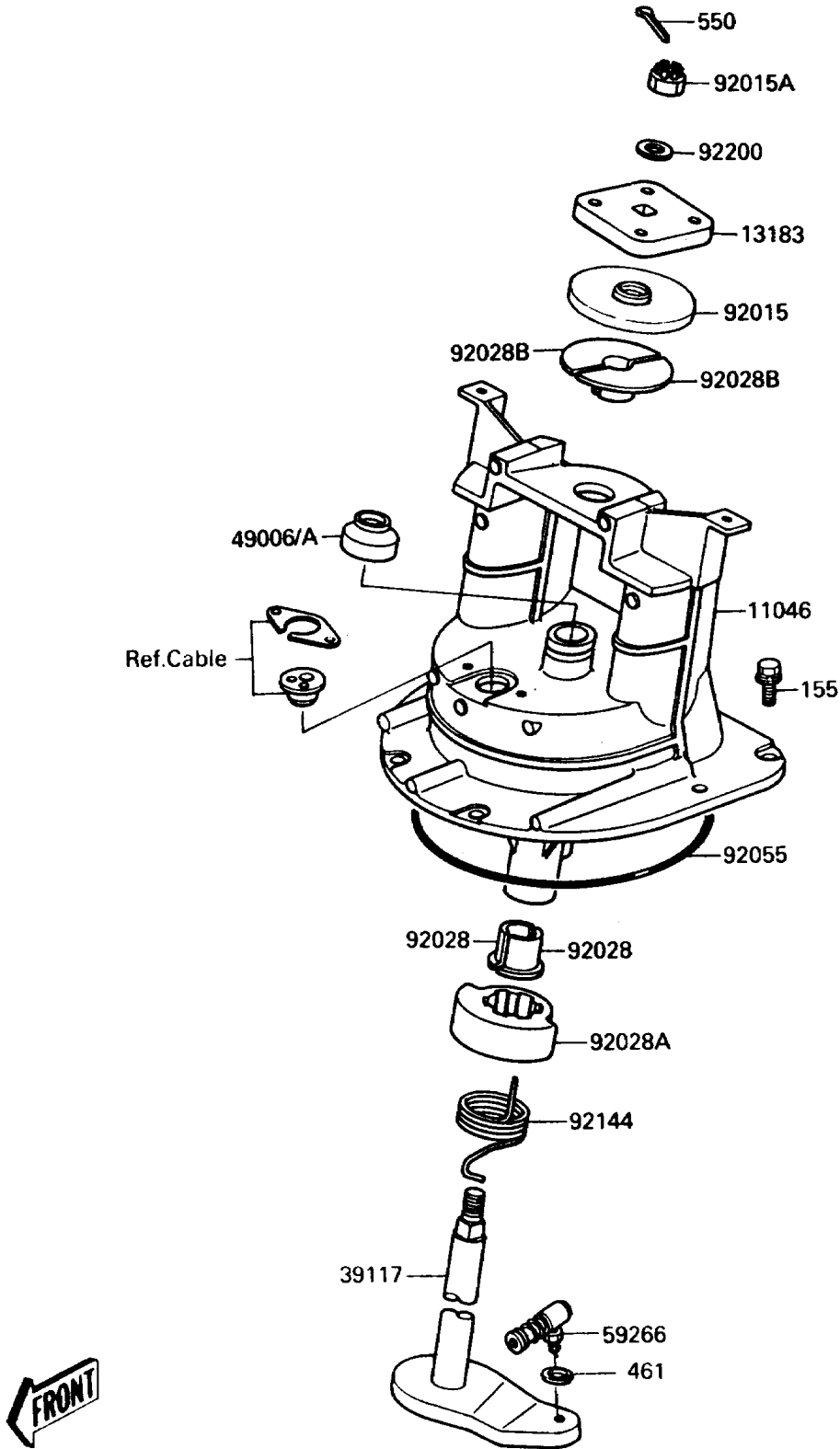


1990 TS PARTS DIAGRAM

Handle Pole

F3171



1990 TS PARTS LIST

Handle Pole

ITEM NAME	PART NUMBER	QUANTITY
BRACKET,STEERING SHAFT (Ref # 11046)	11046-3794	1
PLATE,STEERING SHAFT (Ref # 13183)	13183-3756	1
SHAFT-STRG (Ref # 39117)	39117-3702	1
BOOT,STEERING SHAFT (Ref # 49006A)	49006-3713	1
JOINT-BALL (Ref # 59266)	59266-3701	1
NUT,22MM (Ref # 92015)	92015-3804	1
NUT,CASTLE,14MM (Ref # 92015A)	92015-3805	1
BUSHING (Ref # 92028)	92028-3736	2
BUSHING (Ref # 92028A)	92028-3741	1
BUSHING (Ref # 92028B)	92028-3742	2
RING-O,164.1X2.5 (Ref # 92055)	92055-1411	1
SPRING (Ref # 92144)	92144-3725	1
WASHER,15X34X4 (Ref # 92200)	92022-3702	1
BOLT-WSP-SMALL,8X25 (Ref # 155)	155R0825	6
WASHER-SPRING,6MM (Ref # 461)	461S0600	1
PIN-COTTER,3X35 (Ref # 550)	550S3035	1