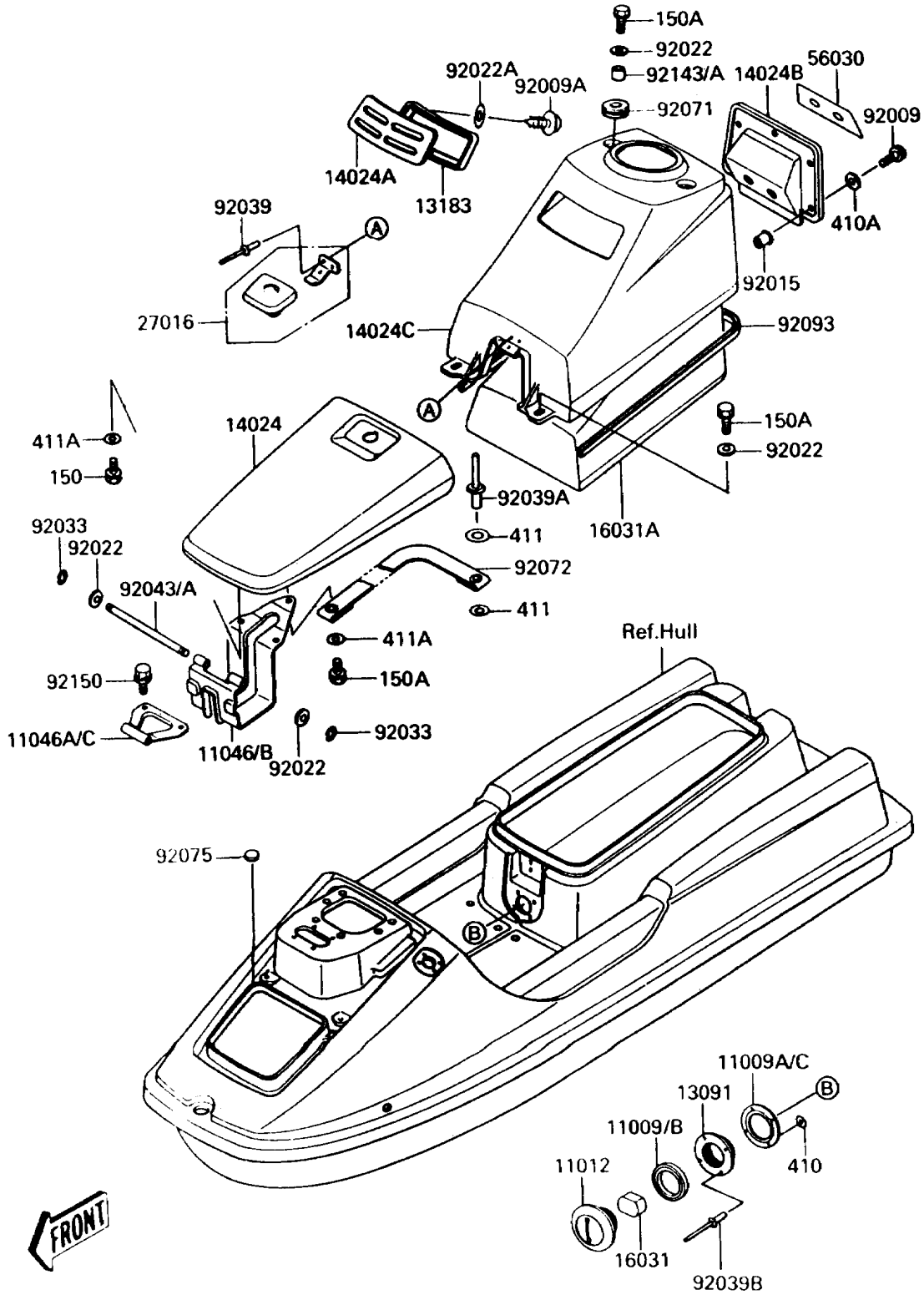


1990 TS PARTS DIAGRAM

Hull Fittings

F 3143



1990 TS PARTS LIST

Hull Fittings

| ITEM NAME | PART NUMBER | QUANTITY |
|--|---------------|----------|
| GASKET,IGNITION TIMING CAP (Ref # 11009B) | 11009-3769 | 1 |
| GASKET,IGNITION TIMING HOLDER (Ref # 11009C) | 11009-3770 | 1 |
| CAP,IGNITION TIMING,J.WHITE (Ref # 11012) | 11012-3735-8U | 1 |
| BRACKET,HATCH COVER (Ref # 11046B) | 11046-3838 | 1 |
| BRACKET,DECK (Ref # 11046C) | 11046-3839 | 1 |
| HOLDER,IGNITION TIMING,J.WHITE (Ref # 13091) | 13091-3740-8U | 1 |
| PLATE,INLET COVER (Ref # 13183) | 13183-3743 | 1 |
| COVER,HATCH,M.M.BLUE (Ref # 14024) | 14024-3754-8Z | 1 |
| COVER,INLET,M.M.BLUE (Ref # 14024A) | 14024-3756-8Z | 1 |
| COVER,CHOKE,M.M.BLUE (Ref # 14024B) | 14024-3757-8Z | 1 |
| COVER,HANDLE TOWER,M.M.BLUE (Ref # 14024C) | 14024-3758-8Z | 1 |
| FLOAT (Ref # 16031) | 16031-3769 | 1 |
| FLOAT (Ref # 16031A) | 16031-3775 | 1 |
| LOCK-ASSY,HATCH (Ref # 27016) | 27016-3716 | 1 |
| LABEL,FUEL/CHOKE (Ref # 56030) | 56030-3752 | 1 |
| SCREW,5X20 (Ref # 92009) | 92009-3749 | 1 |
| SCREW (Ref # 92009A) | 92011-562 | 1 |
| NUT,5MM (Ref # 92015) | 92015-3784 | 1 |
| WASHER,6.5X20X1.5 (Ref # 92022) | 92022-3710 | 1 |
| WASHER (Ref # 92022A) | 92022-563 | 1 |
| RING-SNAP (Ref # 92033) | 92036-518 | 1 |
| RIVET,4MM (Ref # 92039) | 92039-3703 | 1 |
| RIVET (Ref # 92039A) | 92039-3741 | 1 |
| RIVET (Ref # 92039B) | 92039-3742 | 1 |
| PIN,6X110 (Ref # 92043A) | 92043-3726 | 1 |
| GROMMET (Ref # 92071) | 92071-3763 | 1 |
| BAND (Ref # 92072) | 92072-3742 | 1 |
| DAMPER (Ref # 92075) | 92075-3760 | 1 |
| SEAL (Ref # 92093) | 92093-3722 | 1 |

1990 TS PARTS LIST

Hull Fittings

| ITEM NAME | PART NUMBER | QUANTITY |
|-------------------------------|-------------|----------|
| COLLAR,6X8X7 (Ref # 92143A) | 92143-3718 | 1 |
| BOLT,6X20 (Ref # 92150) | 92150-3758 | 1 |
| BOLT-WS,6X18 (Ref # 150) | 150R0618 | 1 |
| BOLT-WS,6X22 (Ref # 150A) | 150R0622 | 1 |
| W-PLAIN-S,3MM (Ref # 410) | 410S0300 | 1 |
| W-PLAIN-S,5MM (Ref # 410A) | 410S0500 | 1 |
| WASHER-PLAIN,5MM (Ref # 411) | 411S0500 | 1 |
| WASHER-PLAIN,6MM (Ref # 411A) | 411S0600 | 1 |