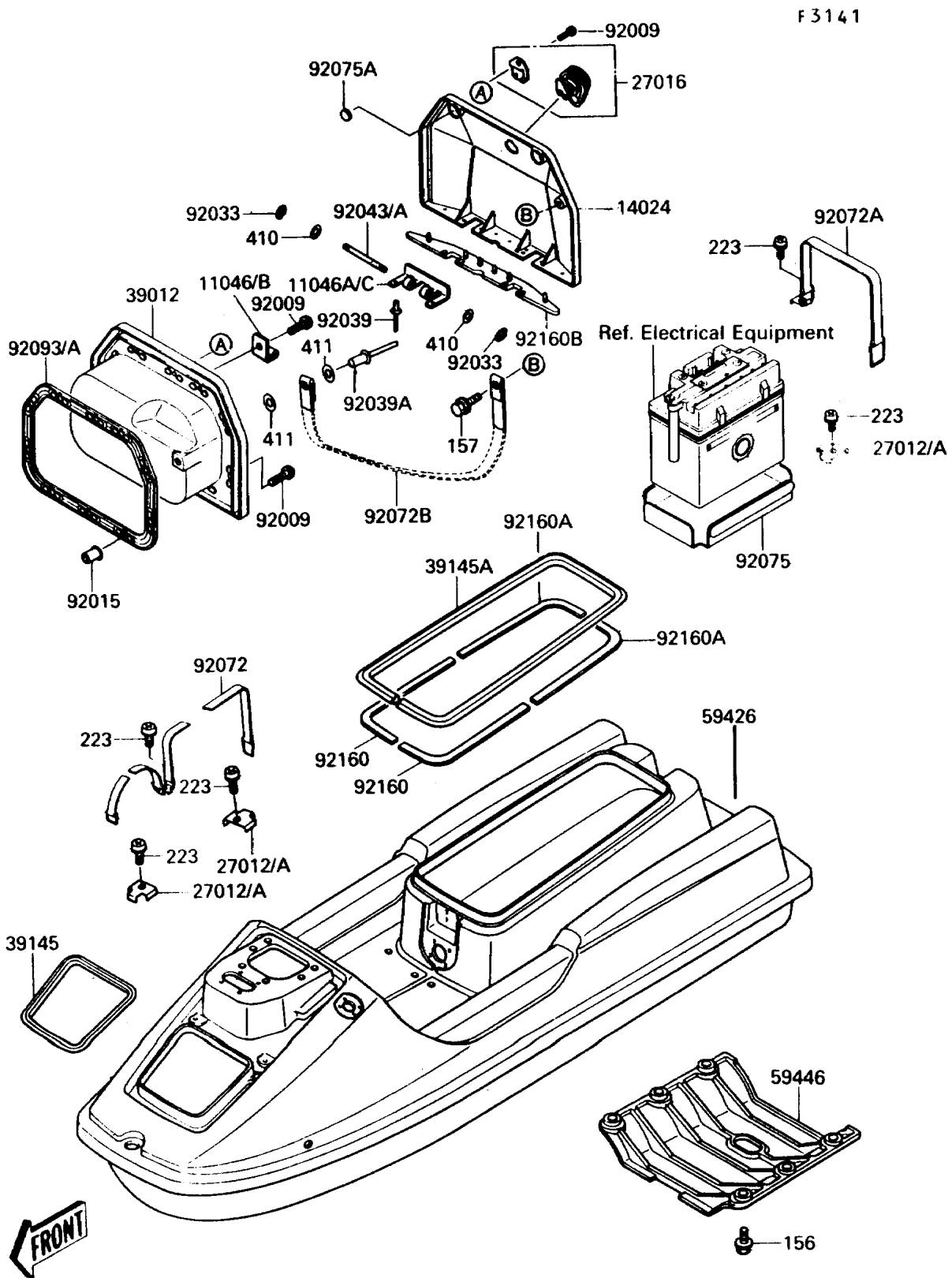


1989 TS PARTS DIAGRAM

Hull



1989 TS PARTS LIST

Hull

ITEM NAME	PART NUMBER	QUANTITY
BRACKET,STORAGE COVER (Ref # 11046)	11046-3792	2
BRACKET,STORAGE COVER (Ref # 11046A)	11046-3793	2
COVER,STORAGE,J.WHITE (Ref # 14024)	14024-3755-8C	1
HOOK,BATTERY (Ref # 27012)	27012-3740	6
LOCK-ASSY,STORAGE COVER (Ref # 27016)	27016-3715	1
CASE-STORAGE,J.WHITE (Ref # 39012)	39012-3708-8C	1
TRIM-SEAL,HATCH (Ref # 39145)	39145-3719	1
TRIM-SEAL,HOOD (Ref # 39145A)	39145-3720	1
HULL-COMP,JET WHITE (Ref # 59426)	59426-5515-8C	1
COVER-JET PUMP (Ref # 59446)	59446-3712	1
SCREW,6X35 (Ref # 92009)	92009-3765	10
NUT,6MM (Ref # 92015)	92015-3785	10
RING-SNAP,3MM (Ref # 92033)	92033-3718	4
RIVET,4MM (Ref # 92039)	92039-3703	4
RIVET (Ref # 92039A)	92039-3721	1
PIN,4X45 (Ref # 92043)	92043-3723	2
BAND (Ref # 92072)	92072-3730	2
BAND,BATTERY (Ref # 92072A)	92072-3731	2
BAND (Ref # 92072B)	92072-3743	1
DAMPER,BATTERY (Ref # 92075)	92075-3714	1
DAMPER (Ref # 92075A)	92075-3760	2
SEAL,STORAGE CASE (Ref # 92093)	92093-3715	1
DAMPER (Ref # 92160)	92160-3748	2
DAMPER (Ref # 92160A)	92160-3749	2
DAMPER,STRAGE COVER (Ref # 92160B)	92160-3751	1
BOLT-WP,6X20 (Ref # 156)	156R0620	6
BOLT-WSP,5X12 (Ref # 157)	157R0512	1
SCREW-PAN-WS-CROS,6X14 (Ref # 223)	223R0614	10
WASHER-PLAIN-SMALL,4MM (Ref # 410)	410S0400	4

1989 TS PARTS LIST

Hull

ITEM NAME	PART NUMBER	QUANTITY
WASHER-PLAIN,5MM (Ref # 411)	411S0500	2