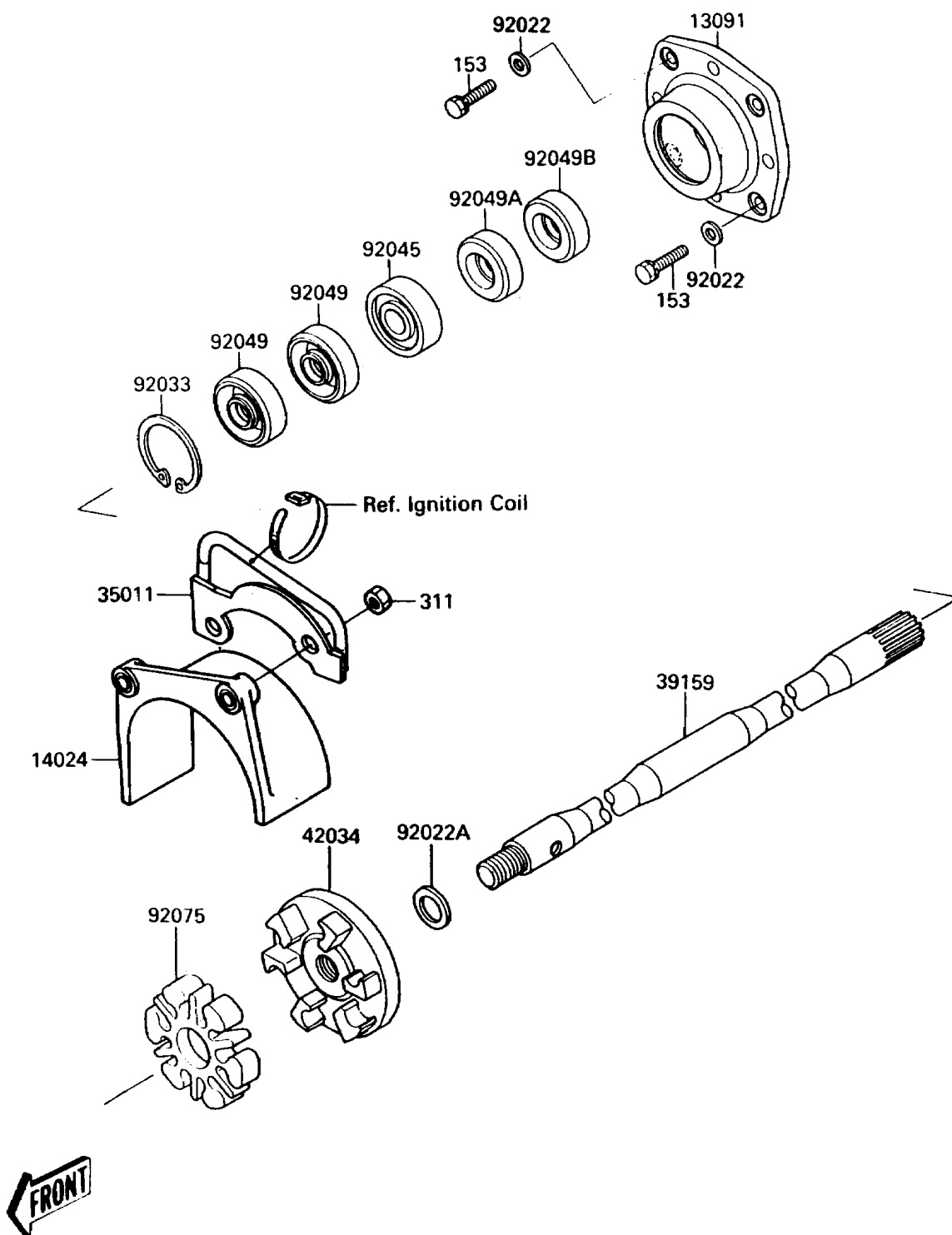


## 1990 TS PARTS DIAGRAM

Drive Shaft

E3134



## 1990 TS PARTS LIST

Drive Shaft

| ITEM NAME                          | PART NUMBER | QUANTITY |
|------------------------------------|-------------|----------|
| HOLDER (Ref # 13091)               | 13091-3730  | 1        |
| COVER,COUPLING (Ref # 14024)       | 14024-3728  | 1        |
| STAY (Ref # 35011)                 | 35011-3704  | 1        |
| SHAFT-DRIVE (Ref # 39159)          | 39159-3708  | 1        |
| COUPLING (Ref # 42034)             | 42034-3705  | 1        |
| WASHER,8.2X18X1.5 (Ref # 92022)    | 92022-1964  | 1        |
| WASHER,18X26X2.0 (Ref # 92022A)    | 92022-3728  | 1        |
| RING-SNAP,42MM (Ref # 92033)       | 92033-3713  | 1        |
| BEARING-BALL,60042RD (Ref # 92045) | 92045-3705  | 1        |
| SEAL-OIL,S620426 (Ref # 92049)     | 92049-3707  | 1        |
| SEAL-OIL,SCY20368 (Ref # 92049A)   | 92050-502   | 1        |
| SEAL-OIL,SC20367 (Ref # 92049B)    | 92050-503   | 1        |
| DAMPER,COUPLING (Ref # 92075)      | 92075-520   | 1        |
| BOLT-WS-SMALL (Ref # 153)          | 153R0825    | 1        |
| NUT-HEX,6MM (Ref # 311)            | 311R0600    | 1        |