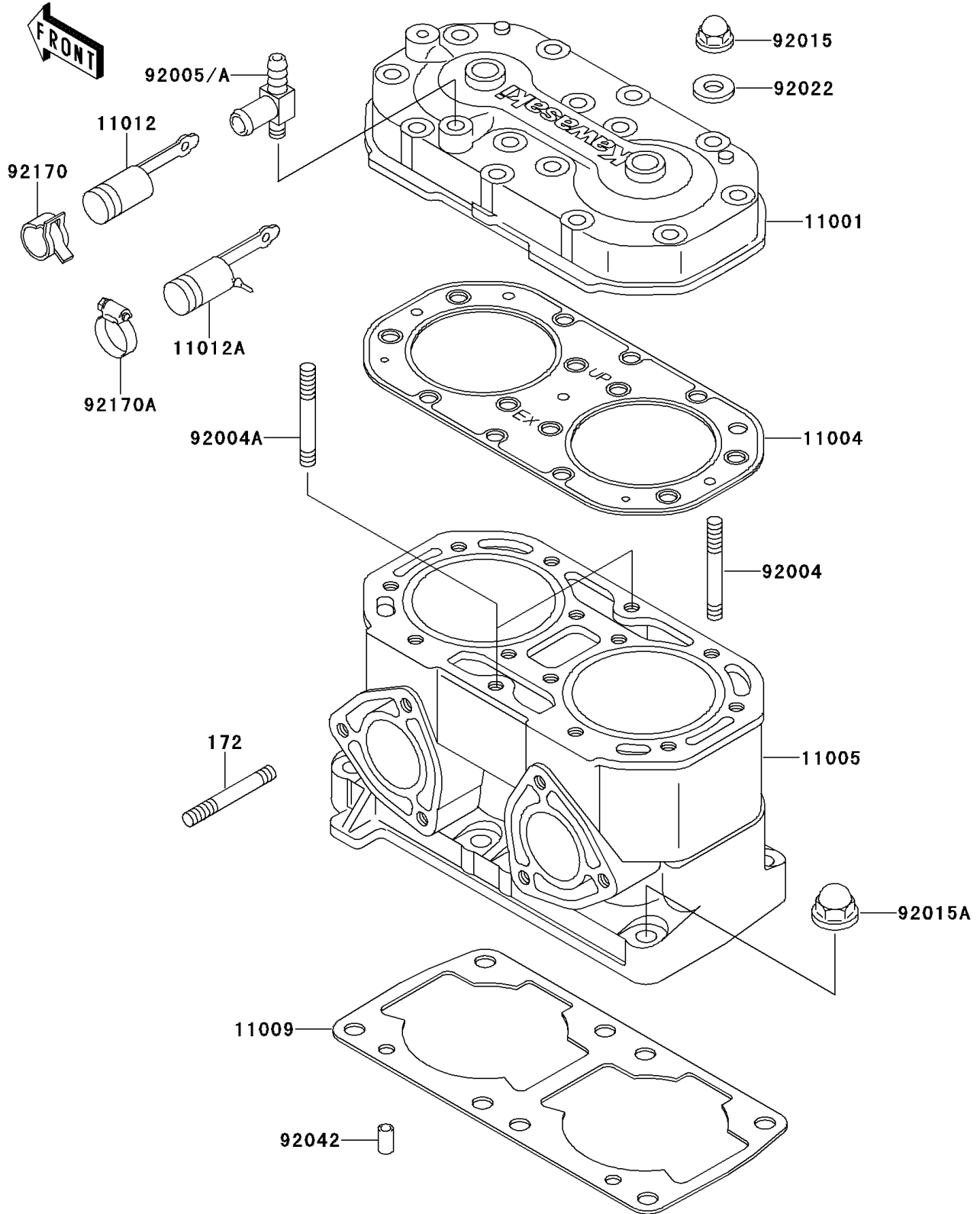


1991 X2 PARTS DIAGRAM

Cylinder Head/Cylinder

E1110



1991 X2 PARTS LIST

Cylinder Head/Cylinder

| ITEM NAME | PART NUMBER | QUANTITY |
|------------------------------------|-------------|----------|
| BOLT-STUD (Ref # 172) | 172R0830 | 6 |
| HEAD-CYLINDER (Ref # 11001) | 11001-3716 | 1 |
| GASKET-HEAD (Ref # 11004) | 11004-3710 | 1 |
| CYLINDER-ENGINE (Ref # 11005) | 11005-3715 | 1 |
| GASKET,CYLINDER BASE (Ref # 11009) | 11009-3775 | 1 |
| CAP (Ref # 11012) | 11012-3744 | 1 |
| STUD,8X43 (Ref # 92004) | 92004-3715 | 12 |
| STUD,8X43 (Ref # 92004A) | 92004-3719 | 2 |
| FITTING (Ref # 92005) | 92005-3710 | 1 |
| NUT,CAP,8MM (Ref # 92015) | 92015-1371 | 14 |
| NUT,10MM (Ref # 92015A) | 92015-1649 | 8 |
| WASHER,8.2X18X1.5 (Ref # 92022) | 92022-1964 | 14 |
| PIN,DOWEL,6.3X8X14 (Ref # 92042) | 92042-007 | 2 |
| CLAMP (Ref # 92170) | 92170-3714 | 1 |