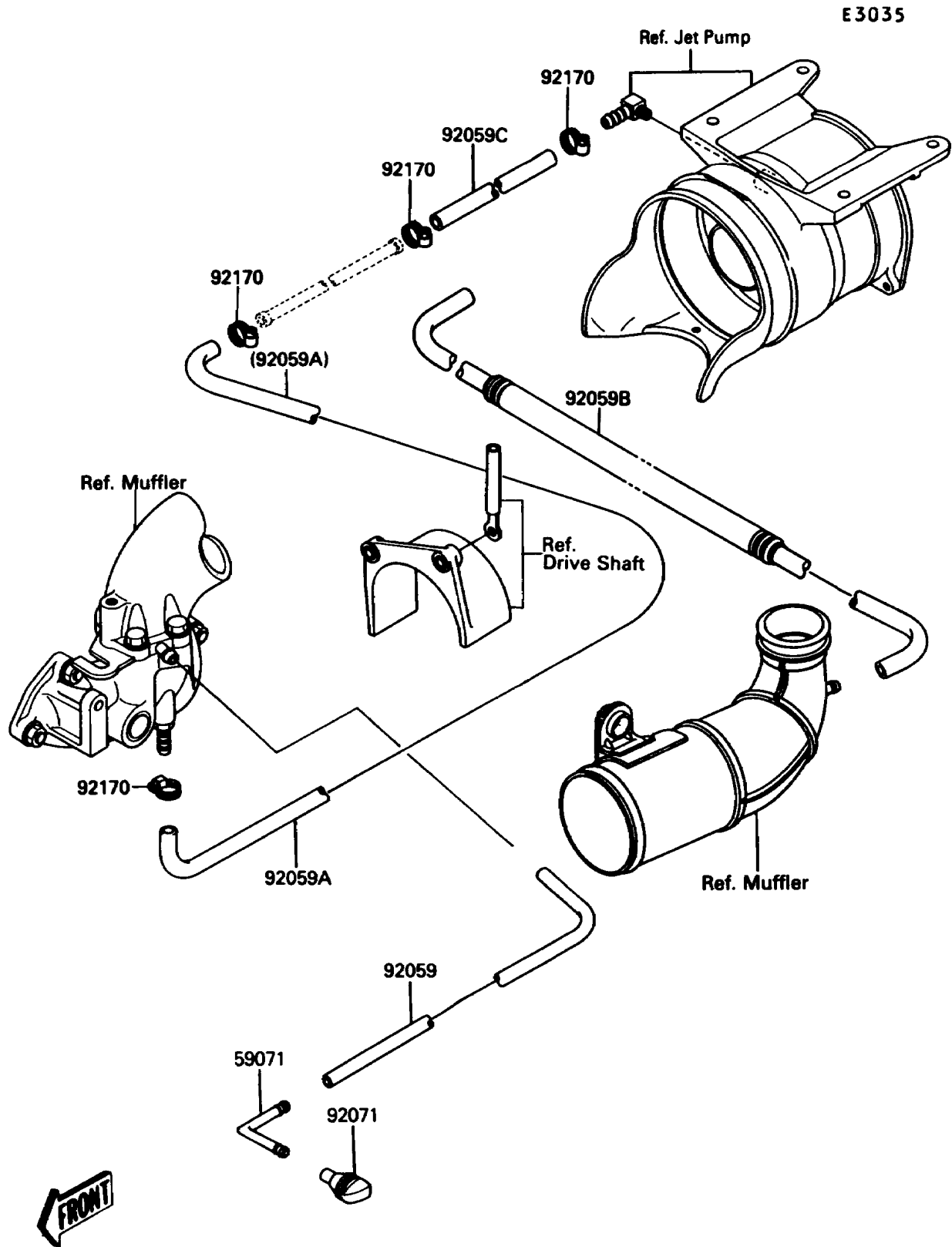


1989 X2 PARTS DIAGRAM

Cooling



1989 X2 PARTS LIST

Cooling

| ITEM NAME | PART NUMBER | QUANTITY |
|---------------------------------|-------------|----------|
| JOINT (Ref # 59071) | 59071-3706 | 1 |
| TUBE,5.8X10.8X650 (Ref # 92059) | 92059-3759 | 1 |
| TUBE,9X16X600 (Ref # 92059A) | 92059-3787 | 1 |
| TUBE,L=490 (Ref # 92059B) | 92059-3862 | 1 |
| TUBE,9X360 (Ref # 92059C) | 92059-503 | 1 |
| GROMMET (Ref # 92071) | 92071-3736 | 1 |
| CLAMP (Ref # 92170) | 92170-3718 | 1 |