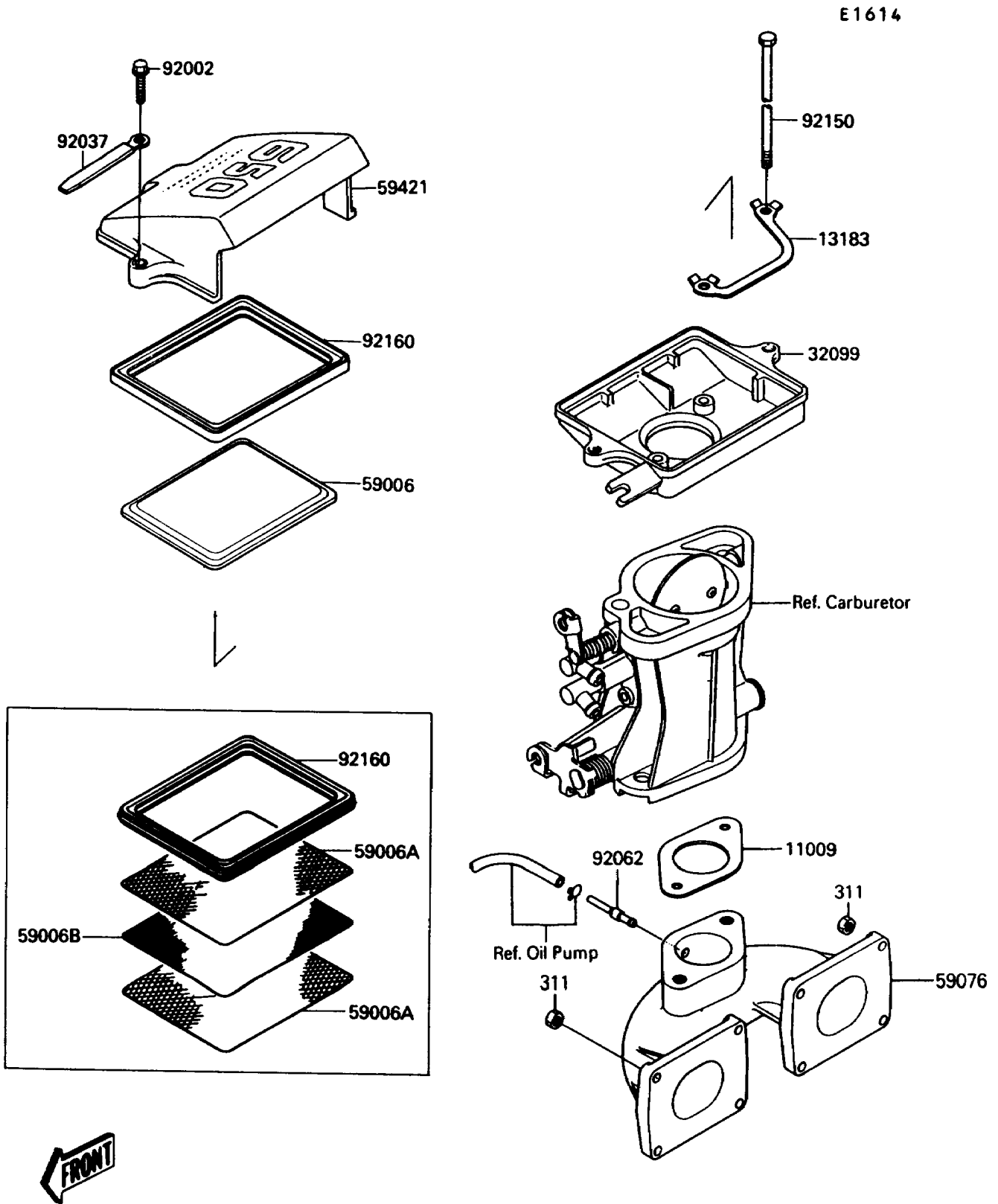


1990 X2 PARTS DIAGRAM

Flame Arrester



1990 X2 PARTS LIST

Flame Arrester

ITEM NAME	PART NUMBER	QUANTITY
NUT-HEX,6MM (Ref # 311)	311R0600	1
GASKET,CARBURETOR (Ref # 11009)	11009-3747	1
PLATE (Ref # 13183)	13183-3726	1
CASE,ARRESTER (Ref # 32099)	32099-3707	1
ARRESTER-FLAME (Ref # 59006A)	59006-3707	1
ARRESTER-FLAME (Ref # 59006B)	59006-3708	1
MANIFOLD-INTAKE (Ref # 59076)	59076-3704	1
COVER-INTAKE (Ref # 59421)	59421-3710	1
BOLT,6X30 (Ref # 92002)	92002-3726	1
CLAMP,L=100 (Ref # 92037)	92037-3736	1
NOZZLE (Ref # 92062)	92062-3703	1
BOLT,6X113 (Ref # 92150)	92150-3724	1
DAMPER (Ref # 92160)	92160-3704	1