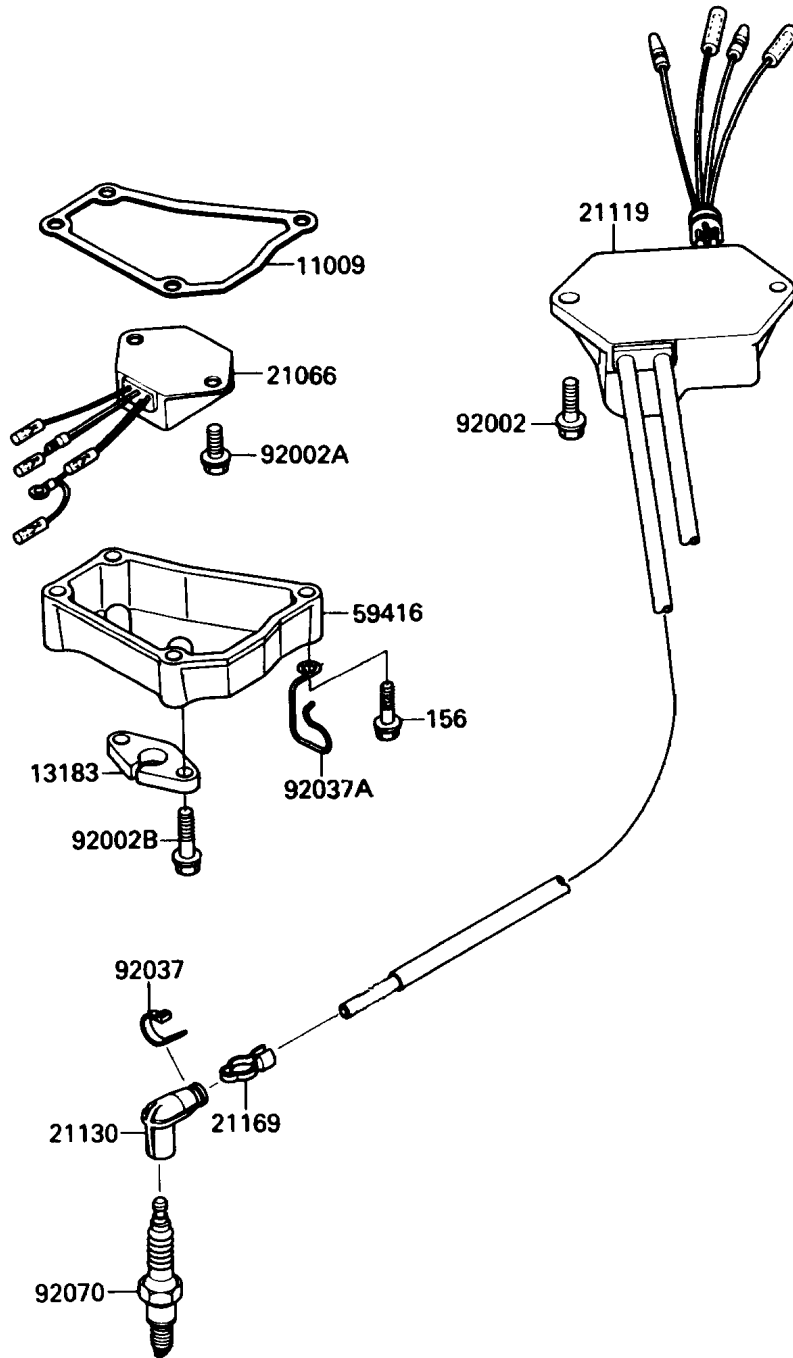


1988 X2 PARTS DIAGRAM

Ignition System

E1830-0268



1988 X2 PARTS LIST

Ignition System

| ITEM NAME | PART NUMBER | QUANTITY |
|------------------------------------|-------------|----------|
| GASKET (Ref # 11009) | 11009-3738 | 1 |
| PLATE (Ref # 13183) | 13183-3712 | 1 |
| REGULATOR-VOLTAGE (Ref # 21066) | 21066-3703 | 1 |
| IGNITER (Ref # 21119) | 21119-3705 | 1 |
| CAP-SPARK PLUG (Ref # 21130) | 21130-1006 | 2 |
| TERMINAL,PLUG CAP (Ref # 21169) | 21169-001 | 2 |
| CASE-ELECTRIC (Ref # 59416) | 59416-3709 | 1 |
| BOLT,6X25 (Ref # 92002) | 92002-3714 | 2 |
| BOLT,6X16 (Ref # 92002A) | 92002-3728 | 2 |
| BOLT,6X20 (Ref # 92002B) | 92002-3755 | 2 |
| CLAMP (Ref # 92037) | 92037-1173 | 2 |
| CLAMP (Ref # 92037A) | 92037-3739 | 1 |
| PLUG-SPARK,B7ES(NGK) (Ref # 92070) | 92070-3003 | 2 |
| BOLT-WP (Ref # 156) | 156R0640 | 4 |