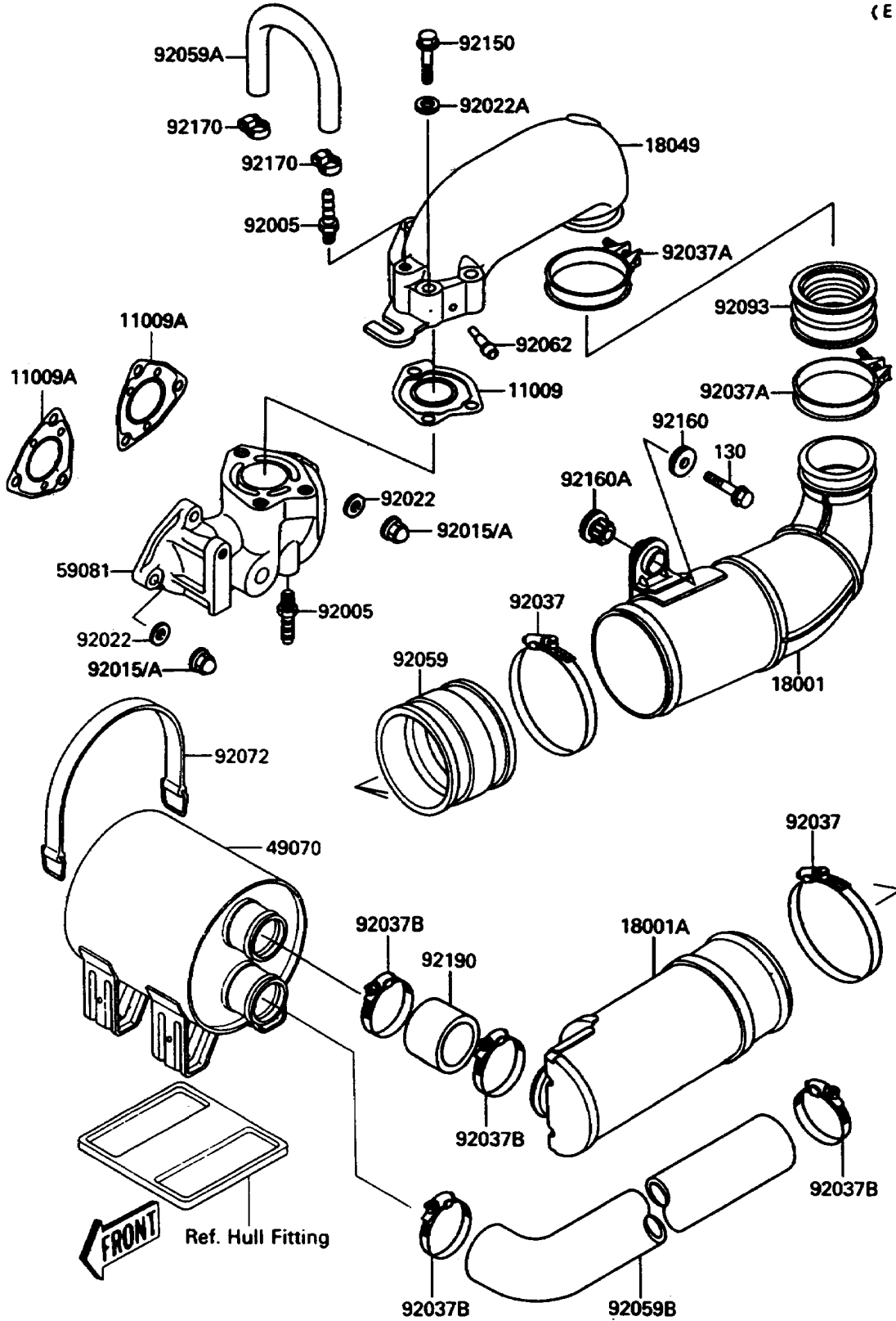


## 1992 Jet Mate PARTS DIAGRAM

Muffler

(E1140 )



## 1992 Jet Mate PARTS LIST

Muffler

ITEM NAME	PART NUMBER	QUANTITY
GASKET,EXHAUST PIPE (Ref # 11009)	11009-3752	1
GASKET,EXHAUST PIPE (Ref # 11009A)	11009-3772	1
MUFFLER,BODY (Ref # 18001)	18001-3721	1
MUFFLER,BODY (Ref # 18001A)	18001-3731	1
PIPE-EXHAUST (Ref # 18049)	18049-3725	1
MUFFLER-COMP,WATER BOX (Ref # 49070)	49070-3708	1
MANIFOLD-EXHAUST (Ref # 59081)	59081-3706	1
FITTING,HOSE (Ref # 92005)	92005-3001	1
NUT,CAP,8MM (Ref # 92015)	92015-1371	1
WASHER,8.2X18X1.5 (Ref # 92022)	92022-1964	1
WASHER,10.2X20X1.5 (Ref # 92022A)	92022-3742	1
CLAMP,MAX120.7MM (Ref # 92037)	92037-3733	1
CLAMP,68MM (Ref # 92037A)	92037-3740	1
CLAMP (Ref # 92037B)	92037-509	1
TUBE,MUFFLER CONNECTING (Ref # 92059)	92059-3767	1
TUBE (Ref # 92059A)	92059-3816	1
TUBE (Ref # 92059B)	92059-3822	1
NOZZLE (Ref # 92062)	92062-3705	1
BAND,L=384 (Ref # 92072)	92072-3713	1
SEAL (Ref # 92093)	92093-3705	1
BOLT,10X50 (Ref # 92150)	92150-3723	1
DAMPER,MUFFLER (Ref # 92160)	92160-3701	1
DAMPER,MUFFLER MOUNT (Ref # 92160A)	92160-3702	1
CLAMP (Ref # 92170)	92170-3720	1
TUBE (Ref # 92190)	92190-3702	1
BOLT-FLANGED (Ref # 130)	130Z0845	1